

Owner's Manual **LGR 7000XLi Portable Dehumidifier**

Model F412 (115V)

DRI-EAZ PRODUCTS, INC.

15180 Josh Wilson Road, Burlington, WA 98233

Phone: 800-932-3030 Fax: 360-757-7950 www.dri-eaz.com

The Dri-Eaz® LGR 7000XLi dehumidifier reduces humidity in enclosed environments by removing water vapor from the air. The 7000XLi is rugged, durable and highly portable, making it ideal for water damage restoration, structural drying, construction, and other applications requiring temporary, high-performance dehumidification.

Patents: <http://www.LBpatents.com>

READ AND SAVE THESE INSTRUCTIONS



WARNING! Do not alter or modify your LGR 7000XLi in any way. Use only replacement parts authorized by Dri-Eaz Products, Inc. Modifications or use of unapproved parts could create a hazard and will void your warranty. Contact your authorized Dri-Eaz distributor for assistance.

WARNING! Electric shock, rotating fan, and hot surface hazards. Unplug unit before opening cover for cleaning or servicing. Unit must be grounded.

- Inspect the power cord before use. If cord is damaged, do not use. Always grasp the plug (not the cord) to unplug.
- Insert three-prong plug on power cord into a matching electrically grounded outlet. Do not use adapter. Never cut off third prong. Do not use an extension cord.
- The unit must be operated on a 115V/60 Hz circuit protected by a Ground Fault Circuit Interrupter (GFCI) device.
- Do not operate unit in standing water. Keep motor and wiring dry.

WARNING! Do not alter or modify your LGR 7000XLi in any way. Use only replacement parts authorized by Dri-Eaz Products, Inc. Modifications or use of unapproved parts could create a hazard and will void your warranty. Contact your authorized Dri-Eaz distributor for assistance.

CONTENTS GUIDE

OPERATIONS

Parts identification	2
Positioning a dehumidifier	2
Operating your dehumidifier	2
Control Panel Guide	3
At the end of the job	4
Setting humidistat mode	4

MAINTENANCE

Maintenance schedule	7
Cleaning the coils and block	7
Cleaning the pump valve	11
Inspecting the Control Panel	16
Error messages	17
Troubleshooting	18

BEFORE YOU BEGIN

Warranty registration

Visit warranty.drieaz.com to register your purchase. Registration allows us to better assist you with using, maintaining or servicing your equipment and to contact you in case we have important safety information concerning your Dri-Eaz product. If you determine service is required, have your equipment model, serial number and original proof of purchase available and call your distributor for assistance with obtaining a return material authorization (RMA).

INTRODUCTION

Dri-Eaz dehumidifiers reduce humidity in enclosed structural environments by removing water vapor from the air.

LGR (low-grain refrigerant) dehumidifiers like the 7000XLi utilize a pre-cooling system to boost water removal efficiency. LGR units can continue to remove moisture in drier environments where conventional refrigerants cannot.

PARTS IDENTIFICATION

FIG. A: FRONT

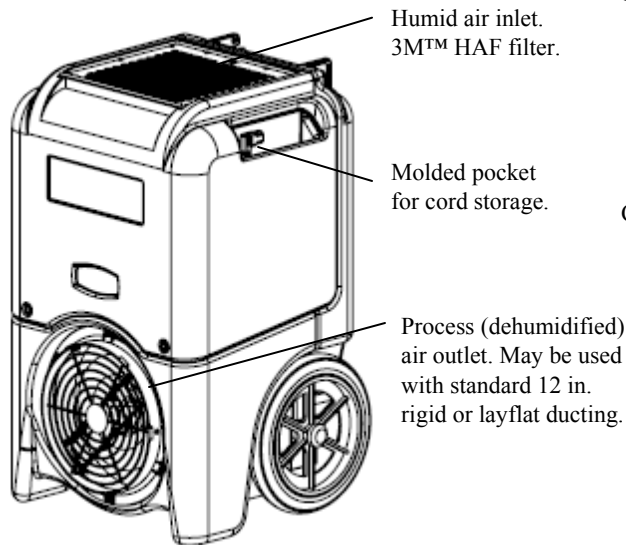


FIG. B: REAR

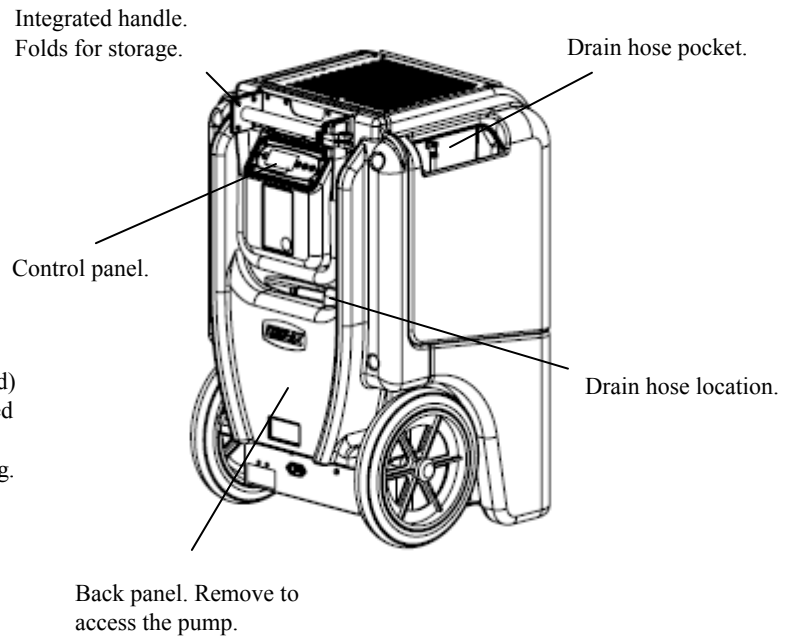
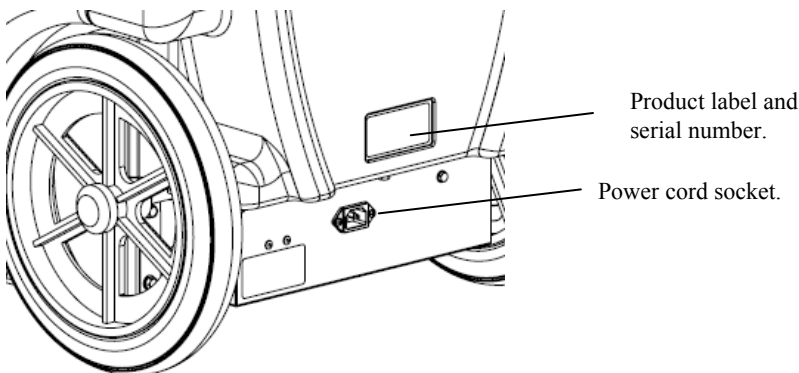


FIG. C: POWER
ATTACHMENT POINT



OPERATING YOUR DEHUMIDIFIER

Set unit upright

NOTICE: Transporting or storing the unit in a horizontal position is not recommended. When the machine is placed in a horizontal position, the oil from the compressor can flow into the refrigerant coils and reduce the ability of the dehumidifier to function and possibly damage the unit. If the unit has been placed in a horizontal position, set it upright and let it stand for at least 30 minutes before turning it on.

Positioning a Dehumidifier

For best results, operate your dehumidifiers in an enclosed area. Close all doors and windows that open to

the outside to maximize the unit's water removal efficiency. Place your dehumidifier away from obstructions, and keep it away from anything that could block airflow into and out of the unit. For more information about creating an optimum drying environment, contact Dri-Eaz at 800-932-3030.

Set up drain hose


The 7000XLi condensate pump connects to a plastic drainage hose that is located in the pocket on the side of the unit. This hose is equipped with a quick-connect fitting for quick attachment to the provided 40 ft. (12 m) drain hose. Unwrap the entire hose and place the unattached end in a sink, drain, bucket or outdoors – anywhere that water can drain out safely. If you use a bucket or other container for water collection, check it regularly to prevent overflows.

NOTICE: Uncoil and straighten the entire drain hose. Do not leave any part of the hose coiled on the unit and do not place the end of the hose higher than 20 ft. (6 m) above the bottom of the unit. Also check for kinks or other obstructions that might restrict the flow of water. Obstructions may cause a water backup and result in overflows.

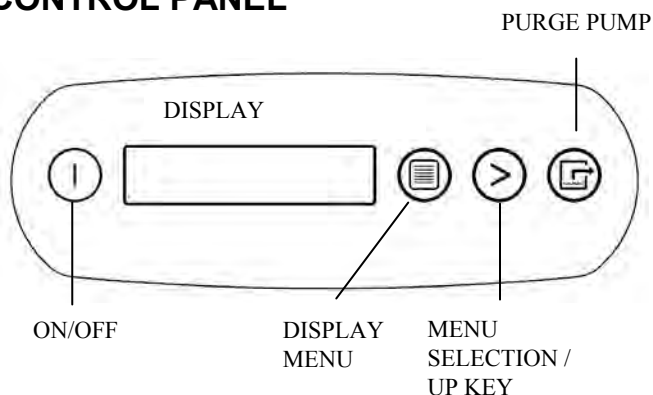
Plug in electrical cord

The 7000XLi dehumidifier should be plugged into a GFCI-protected 115 volt outlet rated for at least 15 amps. Remove the cord from its storage pocket and uncoil it. Always plug the cord firmly into the unit first, and then plug the other end into a suitable outlet.

Turn the unit on

The control panel on the 7000XLi dehumidifier has a display and a touchpad with four keys. Press the  ON/OFF to turn the unit on.

CONTROL PANEL



ON/OFF	Press and release to turn unit on or off.
DISPLAY MENU	Press to select next item in menu. Menu item will show in display.
MENU SELECTION / UP KEY	Press to toggle or select values in menu displayed.
PURGE PUMP	Press and release to start purge. Display will count down seconds remaining until purge is complete.

Startup display and normal display modes

When unit is first plugged in to AC power, the control panel display will briefly cycle through a series of readouts. This is part of the unit's self-diagnosis procedure and no user intervention is required.

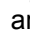
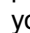

Once the self-diagnosis is complete, the display will switch to **normal display mode**.

UNIT ON 00 HRS
INLET 00°C / INLET 00%

The **first line** of the display shows the total number of hours the unit has been in operation. This value may be

reset to zero to track job hours (see "Job Hours Reset" below). The **second line** of the display alternates between inlet temperature and inlet humidity.

User Settings Menu

A number of settings may be changed by the user. System information can also be displayed. These items are accessed by pressing  DISPLAY MENU. Each press of the key will display the next parameter. When you reach the parameter you wish to adjust, press  MENU SELECTION to increase the value. Press  DISPLAY MENU again to accept the setting and re-start the display cycle. If no keys are selected for 20 seconds the display will automatically reset and return to the normal display mode.


Note that only menu items followed by a greater-than symbol (>) may be adjusted.


All settings and modes are discussed in detail in Control Panel Guide, p. 3.


Error messages


If the 7000XLi onboard diagnostics discover a problem, the unit will display an error message. See "Error Messages," p. 17, for an explanation of each message.

Control Panel Guide

 **ON/OFF.** Press to turn the unit on or off. When the machine is turned on, the display normally reads PLEASE WAIT COMP. DELAY and performs a numeral countdown from a maximum of 60 seconds to 0. This delay allows time for refrigerant pressures to equalize for easier starting. Once the unit completes the compressor delay, the display shows UNIT ON XX HRS and cycles between INLET XX°F and INLET XX%. NOTE: If no compressor delay countdown is displayed, a delay is not necessary and the machine will begin operation immediately.

 **DISPLAY MENU.** Press to cycle through the display of additional dehumidifier conditions and User Settings. To return to the main menu, press the ON/OFF key once.

 **MENU SELECTION.** Press to change the values of the "User Defined" settings. The MENU SELECTION key acts as the UP key for adjusting the setpoint for Humidistat mode operation. See User Settings Menu (below) for details.

 **PURGE.** Press to empty water from the condensate pump reservoir. The display will read PUMP PURGING with a numeral countdown. NOTE: During normal operation, the pump purges automatically every six minutes, or whenever the reservoir is full.

Changing settings and viewing system information

A number of settings may be changed by the user. System information is also available. These items are

accessed by pressing **⏏** DISPLAY MENU. Each press of the key will display the next parameter (see list below). When you reach the parameter you wish to adjust, press **➤** MENU SELECTION to increase the value. Press **⏏** DISPLAY MENU again to accept the setting and re-start the display cycle. If no keys are selected for 20 seconds the display will automatically reset and return to the normal display mode.

Note that only menu items followed by a greater-than symbol (>) may be adjusted.

**JOB HOURS
RESET? >**

Press **➤** MENU SELECTION to reset hours to zero. NOTE: When in Humidistat mode, the unit will display HUMIDISTAT on the top line during normal operation rather than JOB HOURS.

**LIFE HOURS
00 HRS**

Shows total unit operating hours. Value cannot be modified.

**INLET OUTLET
00° 00% 00° 00%**

Shows current temperature and RH of inlet and outlet.

Humidistat Mode

**HUMIDISTAT MODE
ON/OFF >**

In ON mode, unit will maintain the humidistat setpoint (see below). Press **➤** MENU SELECTION to toggle between ON and OFF. NOTE: When in Humidistat mode, the unit will display HUMIDISTAT on the top line during normal operation rather than JOB HOURS.

**HUMIDISTAT
SETPOINT 00% >**

Sets humidity level when unit is in Humidistat Mode. Press **➤** MENU SELECTION to change RH value. Each press of the button increases the setting by 5% increments, cycling through 90%RH and starting again at 30%RH.

**TEMP UNITS
F° >**

Shows current temperature scale. Press **➤** MENU SELECTION to select Fahrenheit or Centigrade scale.

**LANGUAGE
ENGLISH >**

Shows current display panel language. Press **➤** MENU SELECTION to select Spanish, German, French or English.

**COIL TEMP
00°F**

Displays the cold (evaporator) coil temperature.

**SENSOR ID >
00000000**

This function is not used on the 7000XLi.

**COMPRSSR CURRENT
0.0 A**

Shows compressor current draw in amps.

AT THE END OF THE JOB

To reduce the possibility of drips when moving the unit, follow these additional steps to ensure that all water is removed from the unit.

NOTICE: To ensure the condensate tank empties completely while purging, make sure the unit is set fully upright.

1. If the unit is in a defrost cycle, wait until the unit has returned to normal operating mode before proceeding. To check, review the control panel. The control panel will show one of the following:

Defrost in progress:

**UNIT ON 00 HRS
DEFROST CYCLE**

Normal Display:

**UNIT ON 00 HRS
INLET XX° F**

Wait until the control shows the *normal display* before proceeding.

2. Gently rock the upright machine on its wheels to ensure any water remaining on interior surfaces falls into the sump area.
3. Press the **⏏** PURGE key. When the purge cycle is complete, turn the unit off.
4. Remove the external drain hose, drain it carefully, and return it to the pocket provided on the side of the unit.
5. Unplug power cord from power supply and from base of the machine, coil neatly, and return it to the coil storage pocket (see Fig. A).

TRANSPORTATION AND STORAGE

NOTICE: Handle the unit carefully. Do not drop, throw, or place the unit where it could fall. Rough treatment can damage this equipment and may create a hazardous condition or void warranty.

- Do not expose the control panel to moisture, snow or rain.

- Store and transport securely to avoid any damaging impact to internal parts.
- Secure during transport to prevent sliding and possible injury to vehicle occupants.

Special tip for transporting on stairs:

Before transporting unit on stairs, follow these additional steps to ensure that all water is removed from the unit:


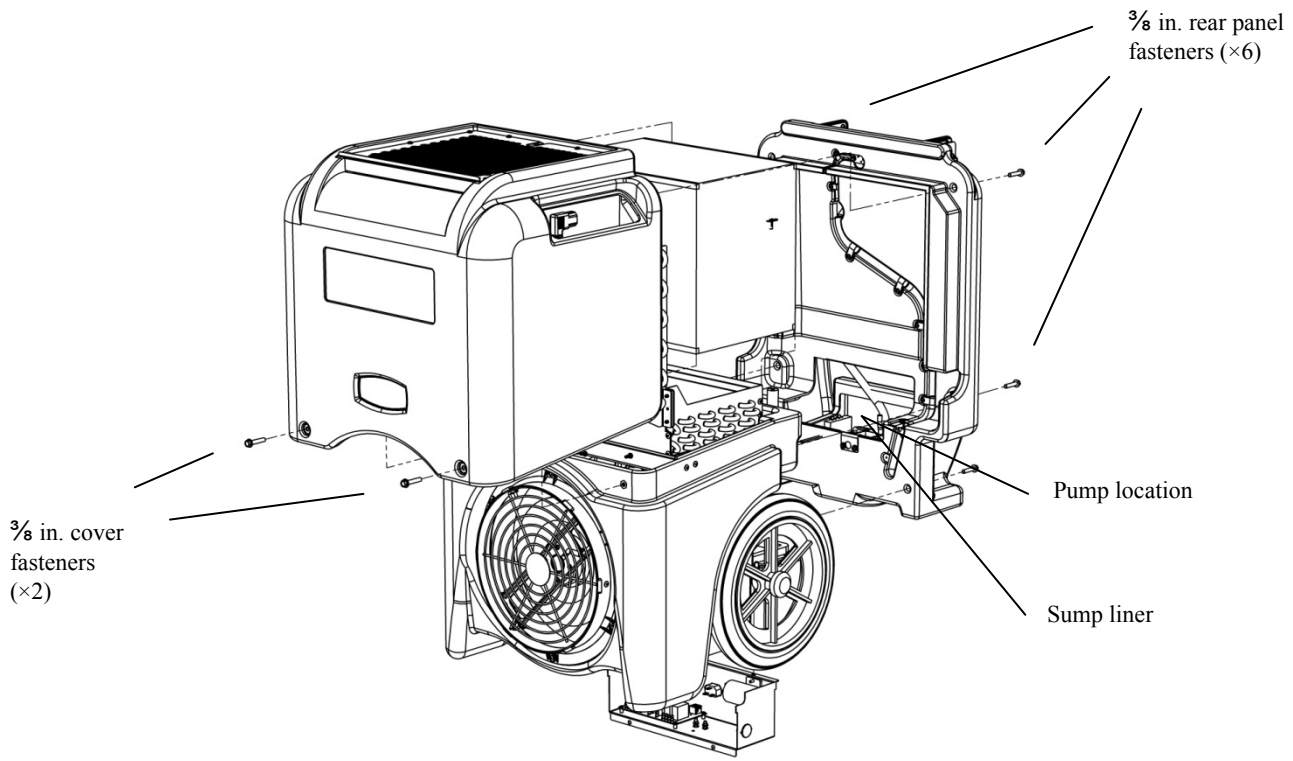
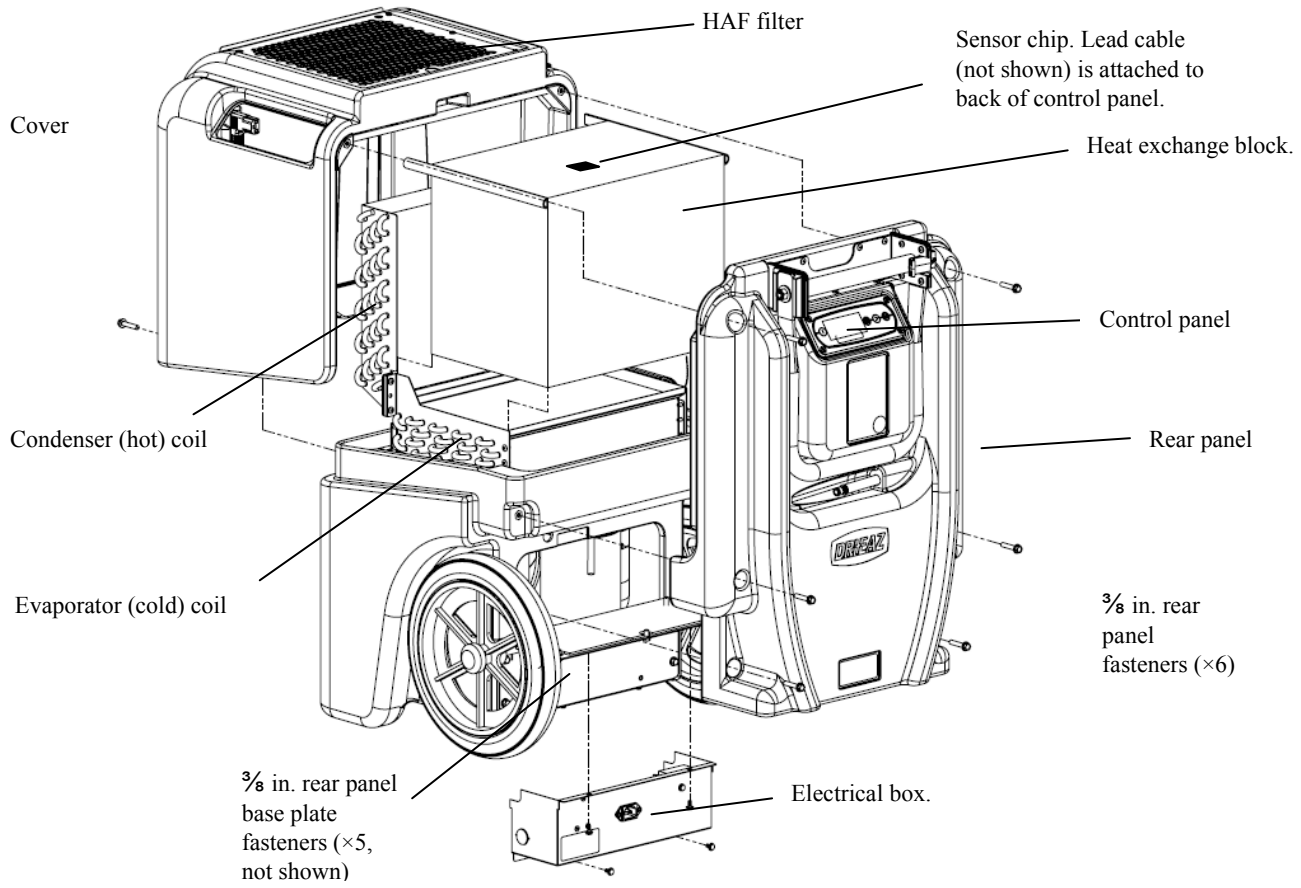
1. Turn the unit off after a defrost cycle has been completed. Gently rock the upright machine on its wheels to ensure any water remaining on interior surfaces falls into the sump area.
2. Press the  PURGE key. When the purge cycle is complete, turn the unit off.
3. Remove the external drain hose, drain it carefully, and return it to the pocket provided on the side of the unit.
- 4. IMPORTANT: Remove power cord from base of unit, coil it neatly, and place it in the cord storage pocket. This will prevent the cord from catching on the stairs and possibly damaging the cord.**

FIG. D: PARTS DIAGRAM



MAINTENANCE SCHEDULE

WARNING! ELECTRIC SHOCK HAZARD. Unplug the dehumidifier before performing any maintenance.

WARNING: Risk of dust and contaminants exposure. Use of respirator mask and gloves is recommended. If unit has been exposed to potentially dangerous contaminants, clean thoroughly and sanitize before reuse.

NOTICE: The unit is fitted with sensitive electronic sensors. Protect the sensors and their lead wires from damage and do not expose them to water or cleaning solution.

The following tools and supplies are needed to complete the maintenance procedures described in this manual:

- Philips screwdriver
- Flat blade screwdriver
- Needle-nose pliers
- $\frac{9}{16}$ in. wrench
- $\frac{3}{8}$ in. nutdriver or socket
- $\frac{5}{16}$ in. socket (to remove pump)
- 6 in. socket extension
- Ratchet wrench
- Cleaning cloths
- HEPA vacuum cleaner with soft brush nozzle and crevice nozzle.

Recommended

Cordless drill, small knife, small-jaw pliers, coil cleaning solution, Rotomolded housing cleaning solution

Before each use

Inspect the electrical cord for damage. Look for fraying, cuts, etc. Replace the cord if you find any damage.

Inspect, vacuum or replace filter. The 3M™ HAF (High Airflow) filter **may be vacuumed clean and reused up to three times before replacement.** Use a HEPA vacuum and brush tool to remove any dust or

debris. Do not use compressed air or expose the filter to any liquids, as may damage the filter.

NOTICE: Replace used filters only with a new HAF filter (Dri-Eaz part no. F368). Other filter types do not provide adequate filtration or airflow. Be sure to install the new filter in the correct orientation. See "Installing the HAF Filter," p. 8. See also "About HAF Filters," below.

Monthly

Inspect coils and heat exchange block. Clean when dust accumulation is visible. In normal use, dust can accumulate and can restrict airflow, reducing performance and causing the unit to overheat. See "Cleaning Coils and Heat Exchange Block," p. 7.

To maintain appearance, wipe interior and exterior surfaces with a damp cloth. For deep cleaning and a lasting, protective shine, use Dri-Eaz MicroGuard Cleaner and MicroGuard Protectant, available from Dri-Eaz, or a similar automotive interior treatment.

As Needed

Clean Pump Check Valve and Basin. If the unit displays the message "ER9 PUMP BLOCKED CHECK PUMP & HOSE", the pump check valve and pump basin may need to be cleaned. This requires removal of the back cover. For instructions, see "Inspecting and Cleaning the Pump," p. 11.

Clean coils and heat exchange block. Inspect the horizontal evaporator (cold) coil with the back cover removed. If excessive dust and debris is present, vacuum thoroughly and/or clean with coil cleaner. See "Cleaning Coils and Heat Exchange Block," p. 7.

CLEANING THE COILS AND THE HEAT EXCHANGE BLOCK

To help keep the unit operating efficiently, keep the coils and the air-to-air heat exchange block clean, and periodically remove any accumulated dust and debris from interior surfaces. See "Cleaning Coils and Heat Exchange Block," p. 7.

ABOUT 3M™ HAF FILTERS FROM

HAF filters from 3M provide superior particle retention, resist microbial growth on filter surfaces and allow for maximum airflow throughout the filter loading cycle. Follow these guidelines to ensure maximum protection for equipment, technicians and the job site:

Replace the HAF filter whenever it has been vacuumed clean and reused three times. HAF filters lose their effectiveness after three uses.

Replace the HAF filter whenever it has been used on a mold remediation job or otherwise exposed to potentially dangerous contaminants. Continued use of a contaminated filter risks the spread of contamination.

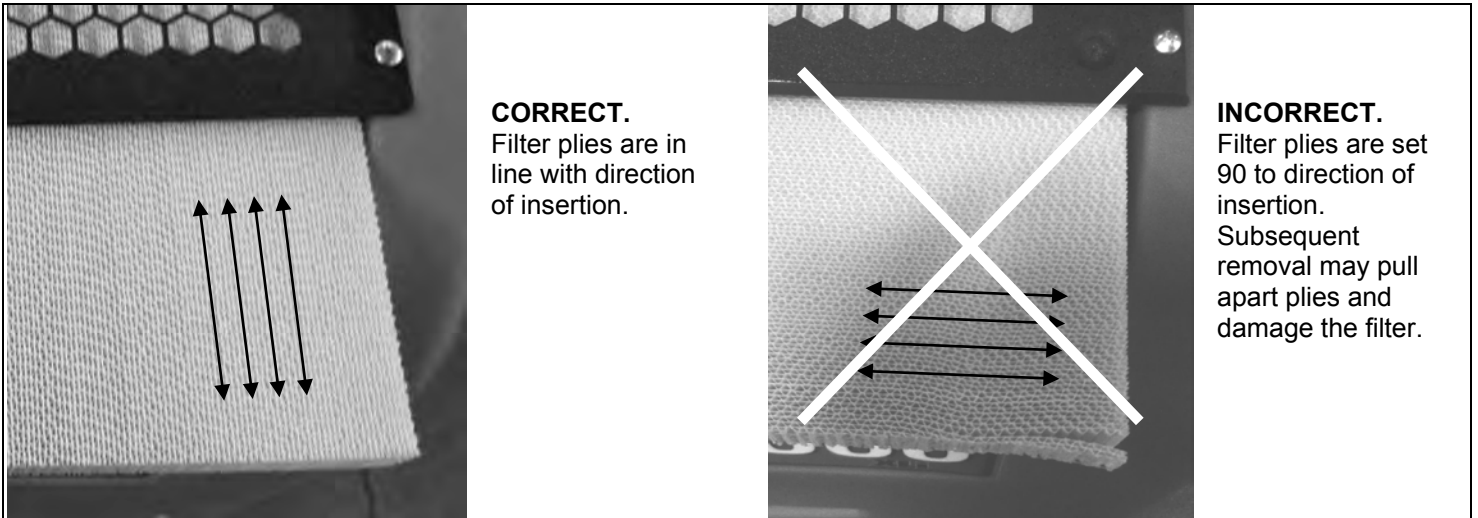
Do not wash or apply any liquids to the HAF filter. Exposure to liquids will reduce the effectiveness of the electrostatic material.

Do not operate without the HAF filter in place. Do not operate the unit with any other filter type. Incorrect filtration will reduce unit efficiency and can cause damage to the unit.

Do not operate the unit when excessive dust or airborne particles are present. The high volumes of particulates present during sanding, spray painting, or similar operations can clog the unit and cause damage.

Installing the HAF filter

To protect your HAF Filter from damage, make sure you insert the filter in the correct orientation.



Disassembling the unit to clean coils and the heat exchange block

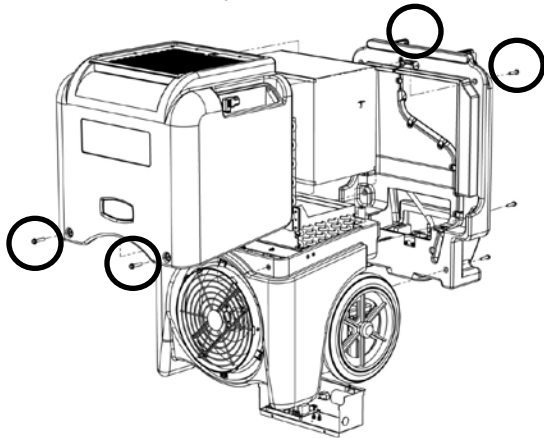
WARNING: Unplug unit before servicing.

WARNING: Risk of dust and contaminants exposure. Use of respirator mask and gloves is recommended. If unit has been exposed to potentially dangerous contaminants, clean thoroughly and sanitize before reuse.

NOTICE: The unit is fitted with sensitive electronic sensors. Protect the sensors and their lead wires from damage and do not expose them to water or cleaning solution.

Before proceeding, remove pump hose at quick-disconnect.

Remove the four $\frac{3}{8}$ in. cover bolts shown:



Lift off front cover and set aside.



Disconnect the sensor chip assembly from the block.
Gently lift the chip and the mounting post together out of the block.

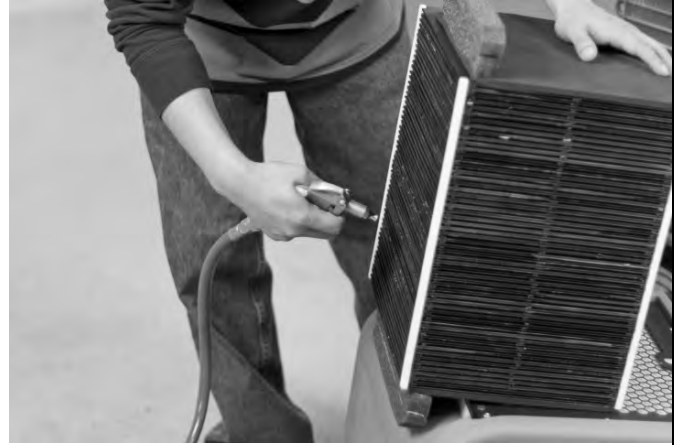
NOTICE! The sensor chip assembly is fragile. Handle with care at all times. To avoid damaging the sensor with a static electricity discharge, do not touch the sensor circuitry, and do not place any tape or other material in contact with the sensor circuitry.



Lift the heat exchange block straight upward off the base.
Note orientation of block for reassembly.



Inspect the heat exchange block carefully. If dust is present, use compressed air or a HEPA-filtered vacuum cleaner to gently clear the channels of the block.



Inspect the vertical condenser (hot) coil. If dust is present, vacuum or use compressed air on both sides of the coil until it is clean. Take care not to bend or damage the fins. Vacuum the outside (shown) and inside surface of the vertical coil.

NOTICE: Do not use coil cleaning solution on the vertical condenser coil. The solution may drip on to sensitive internal components and damage them.

The **horizontal evaporator (cold) coil (not shown) should also be vacuumed.** For more thorough cleaning, remove the back cover and use coil cleaner. See "Inspecting and Cleaning the Pump Check Valve," p. 11.



Reinstalling the Heat Block and Top Cover

NOTICE: Be sure housing bolts are properly threaded before tightening. Do not overtighten. Do not use a power tool!

Reinstall the heat exchange block. Be sure to position it in the original orientation.

Carefully **reseat the heat exchange block.** Make sure that the block is flush against the base and vertical condenser (hot) coil,

Make sure the top of the block is flush with the top of the condenser coil.



Replace the sensor chip assembly in to the heat exchange block.

NOTICE! The sensor chip assembly is fragile. Handle with care at all times. To avoid potentially damaging the sensor with a static electricity discharge, do not touch the sensor circuitry and do not place any tape or other material in contact with the sensor circuitry.

Slide the top cover straight down into place. Make sure the foam rubber seal strips are in place and are not kinked or folded.



Replace the front cover. Insert and tighten the front cover $\frac{3}{8}$ in. bolts by hand. After they are hand tight, install and tighten the two back cover bolts.

NOTICE: Be sure housing bolts are properly threaded before tightening. Do not overtighten. Do not use a power tool!

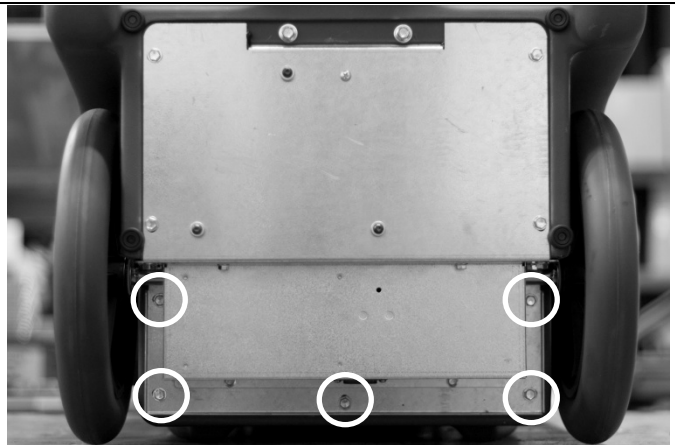
The unit is now ready for use.

INSPECTING AND CLEANING THE PUMP CHECK VALVE

Remove the five base plate $\frac{3}{8}$ in. bolts. For easier access to these bolts, lay the unit on its back.

NOTICE: Do not place unit on its front, as this might cause any residual water to drip into sensitive electronic components.

Remove the front cover as described under “To disassemble the unit for cleaning coils and heat exchange block,” p. 8.



Stand the unit upright and **remove the front cover** as described under “To disassemble the unit for cleaning coils and heat exchange block,” p. 8.

Now **remove the four rear panel $\frac{3}{8}$ in. bolts.**



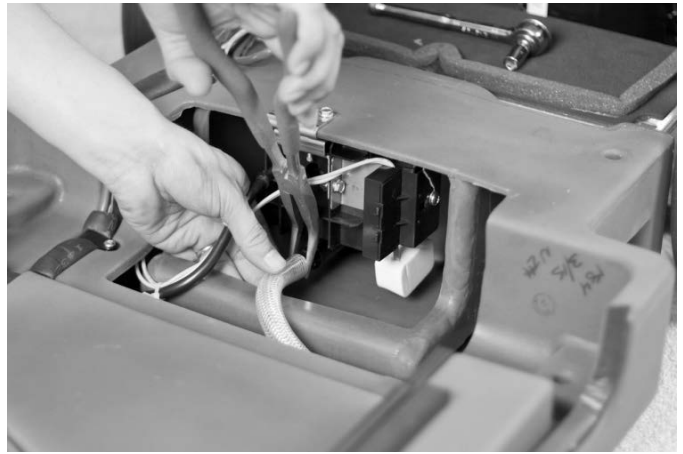
Tip the top of the rear panel away from the unit and lay it flat in front of the unit. It is not necessary to disconnect the wire harness from the rear panel or from the electrical box.



Clean the horizontal cold (condenser) coil. Use a vacuum or condenser coil cleaner. If using the coil cleaner, use a small container to capture runoff from the drain basin.



Clean and inspect the the pump check valve. First, use needle-nosed pliers to remove the pumpout hose from the barbed fitting on the pump. Tuck the hose inside the back cover housing.



Remove the two $\frac{5}{16}$ in. bolts securing the pump mounting bracket.



Slide the pump and pump bracket assembly out of the pump well. It is not necessary to disconnect any electrical cables.

When the pump is free of the housing, rotate it upward and out of the pump well to more easily access the check valve.

NOTICE: Take care not to bend or damage the “marshmallow” float assembly.



Clean and inspect the check valve. Using a $\frac{9}{16}$ in wrench, unthread the check valve fitting and remove it from the pump.



Using small-jawed pliers, carefully remove the valve compression fitting and the “duckbill” valve.



Rinse all three items in clean water.

Reassemble the check valve components in the sequence shown.



Thread the check valve assembly back into pump outlet.

NOTICE: Make sure o-ring is properly seated before tightening. Do not overtighten.

Wipe out the pump basin with a clean, dry cloth.

Reassembling pump and back cover

Reinstall pump. Slide pump and pump bracket back into place.

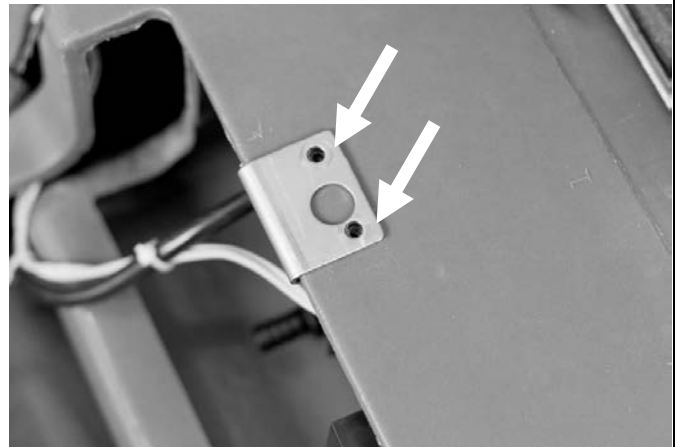


Ensure that the two holes in the bracket, the rotomolded housing and the pump basin are properly aligned before inserting and starting the bolts by hand.

Reinstall the two $\frac{3}{8}$ in. bolts securing the pump mounting bracket. Do not overtighten.

Reinstall drain hose on to pump outlet.

Tip back cover into place. Ensure that the sealing strips are properly aligned and free of kinks.



Replace four bolts on the lower half of the back cover. Leave bolts snug but not tight. Now place the unit on its back.

NOTICE: Be sure housing bolts are properly threaded before tightening. Do not overtighten. Do not use a power tool!

Reinstall five bottom plate $\frac{3}{8}$ in. bolts.

Now set the unit upright and tighten the four back cover bolts.

Reinstall the top cover. See "Reinstalling the Heat Block and Top Cover" beginning on p. 10.

TIP: Tighten cover bolts in increments from the bottom upward to create the best seal. As you tighten, check for proper alignment and ensure that all seals are in place and free of kinks.

The unit is now ready for use.

INSPECTING THE CONTROL PANEL

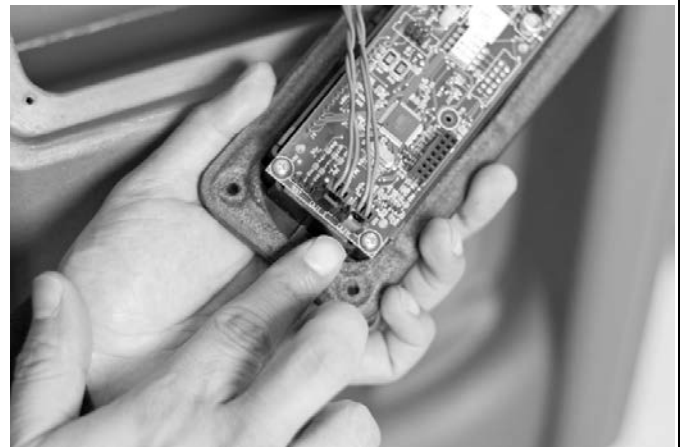
Using a Philips screwdriver, **remove the four baseplate retaining screws.**

Carefully lift out the control panel. The sensor connections are located on the underside of the panel.



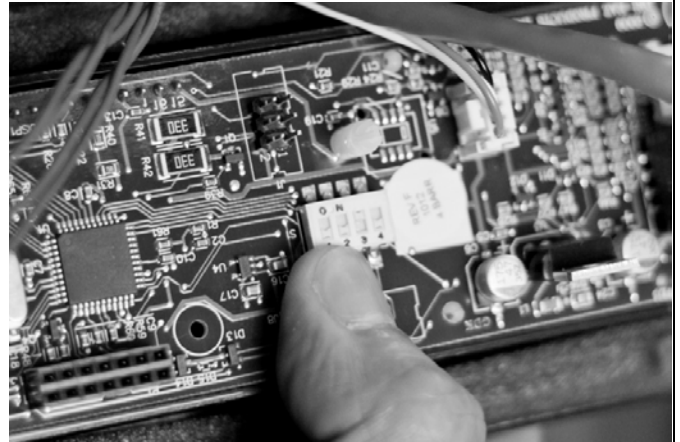
The sensor connections are labeled "OUT T" (outlet temperature sensor) and "DEFRR" (defrost sensor).

Note that the DEFRR cable is marked with silver paint. Make sure each cable is connected in the correct location and that they are firmly seated.



The DIP switch is located in the center of the panel. *Do not change the DIP settings* unless instructed by qualified service personnel to do so.


NOTICE! The control panel circuit board contains sensitive electronic components. Handle with care at all times. To avoid damaging the circuit board with a static electricity discharge, do not touch the circuitry, and do not place any tape or other material in contact with the circuit board.



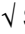




When inspection is complete, replace the controller in the housing and tighten the screws. Do not overtighten.

ERROR MESSAGES

The LGR 7000XLi control system constantly monitors internal operating conditions. If the system detects an problem, it will produce an error (“ER”) message indicating the problem. If the display shows an ER message, first unplug the unit and then plug it back in. This will usually reset the electronics, and the unit will begin operating normally. If the error message reappears, refer to the explanation and solution shown below. If this still does not fix the problem, contact your local authorized service center or call the Dri-Eaz Service Department at 800-932-3030.

NOTE: The message “POWER FAILURE” is not a system error. When this message is displayed, it indicates that power to unit was interrupted and then restored. To clear the message, press the  MENU SELECTION key.

CONTROL PANEL MESSAGE	EXPLANATION AND SOLUTION
ER1 CONTACT SERVICE CENTER	Voltage error. Confirm that unit is connected to a suitable AC power supply and that the circuit is not overloaded. If supply is correct, the electronic control panel may require replacement. If error persists, contact service.
ER2 CONTACT SERVICE CENTER	Control panel error. The electronic control panel may require replacement. If error persists, contact service.
ER3 CONTACT SERVICE CENTER	Unit in defrost too long. Check defrost sensor cable for proper connection. See “Inspecting the Control Panel,” p. 16, for instructions. If error persists, sensor assembly may require replacement. Contact service.
ER4  DEFROST SENSOR CONNECT – alternate message – ER4  OUTLET SENSOR CONNECT	Sensor error. Check defrost sensor cable for proper connection. See “Inspecting the Control Panel,” p. 16, for instructions. If error persists, sensor assembly may require replacement. Contact service.
ER5  SENSOR CONNECTION ON BD	Low voltage board error. Check outlet temp sensor cable for proper connection. See “Inspecting the Control Panel,” p. 16, for instructions. If error persists, sensor assembly may require replacement. Contact service.
ER6 CONTACT SERVICE CENTER	High voltage error. The high voltage board may require replacement. If error persists, contact service.
ER7 INVALID MODEL SETTING	Control board DIP switch settings or firmware version may be incorrect. If error persists, contact service. Service may ask you to verify DIP switch settings. See “Inspecting the Control Panel,” p. 16, for instructions.
ER8 BUTTON STUCK  ALL BUTTONS	Press each membrane key and check for proper operation. If a key doesn’t function, or if the error persists, the membrane overlay may require replacement. Contact service.
ER9 PUMP BLOCKED  CHECK PUMP & HOSE	Check for obstructions in drain hose. If clogged, remove hose from unit and blow tube out with compressed air. Inspect and clean the pump check valve and pump basin. See “Cleaning and Servicing the Pump,” p. 11.

TROUBLESHOOTING

FAULT	CAUSE	SOLUTION
Water drips out when moving unit	Unit was unplugged before purging was complete.	Purge unit before moving. See "At the End of the Job," p. 4.
Unit does not operate	Unit not switched on. No power to machine.	Switch unit on. Plug in unit; check power cord connection at wall outlet and at base of unit.
Blower wheel not turning	Obstructed blower.	Remove duct ring and grill and remove obstruction. Replace duct ring and grill.
Unit operating, but room not dry	Not enough time to dry. Poor air movement in room. Excessive moist air infiltration.	Allow more time for drying. Increase air movement with air movers. Seal off area to reduce infiltration.
Unit collects too little water	Room air is dry. Room temperature is too low. HAF filter is full. Heat exchange block and/or coils are clogged.	Confirm humidity level with hygrometer. Increase room temperature. Check filter. Clean or replace as necessary. Check heat exchange block and coils. Clean as necessary.
<p><i>If the problem you are experiencing is not listed here, call your local distributor or contact our Service Department toll-free at 800-932-3030 for further assistance.</i></p>		

SPECIFICATIONS

Model	LGR 7000XLi (F412)
Weight	107 lbs. 49 kg
Dimensions (H x D x W)	33.5 x 20 x 20 in. 85 x 51 x 51 cm
Power	8.3 amps, 115V
Water removal AHAM (80°F/60% RH)	130 pts. 61.5 liters / day
Water removal low grain (80°F/20% RH)	17 pts. 8 liters / day
Process air (max.)	325 CFM* ductable floor-level outlet.
Noise level (avg.)	62 dB
Air filter	3M™ HAF filter Part no. F368 (24 pack)
Drain hose	40 ft. 12.2 m
Power cord	25 ft. 7.6 m
Construction	Rotomolded shell
Safety	ETL certified to UL 474 and CSA 22.2 no. 92
<p>Specifications are subject to change without notice. Some values may be approximate. *Fan speed varies automatically for optimized performance.</p>	

Warranty information is available at www.dri-eaz.com.

Be sure to visit warranty.drieaz.com and register your purchase. Your registration will help us provide you with updated product information as needed.

For proper disposal, this unit should be taken to a recycler licensed to process refrigeration equipment.

Manual para el usuario **Deshumidificador portátil LGR 7000XLi**

Modelo F412 (115V)

DRI-EAZ PRODUCTS, INC.

15180 Josh Wilson Road, Burlington, WA 98233

Teléfono: 800-932-3030 Fax: 360-757-7950 www.dri-eaz.com

El deshumidificador LGR 7000XLi de Dri-Eaz[®] reduce la humedad en ambientes cerrados eliminando el vapor de agua que se encuentra en el aire. El modelo 7000XLi es resistente, duradero y fácil de transportar, características que lo convierten en un elemento ideal para la reparación de daños causados por el agua, el secado de estructuras, la construcción y otros usos para los que se necesita temporalmente un deshumidificador de alto rendimiento.

Patentes: <http://www.LBpatents.com>

LEA Y GUARDE ESTAS INSTRUCCIONES

⚠️ ADVERTENCIA



¡ADVERTENCIA! No altere ni modifique su LGR 7000XLi de ninguna manera. Utilice únicamente repuestos autorizados por Dri-Eaz Products, Inc. Las modificaciones o el uso de repuestos no aprobados podría ocasionar algún peligro, y anulará su garantía. Para solicitar asistencia, comuníquese con su distribuidor autorizado de Dri-Eaz.

¡ADVERTENCIA! Peligro de sufrir una descarga eléctrica, lastimarse con el ventilador rotatorio y quemarse con una superficie caliente. Desenchufe la unidad antes de abrir la tapa para limpiarla o hacerle mantenimiento. La unidad debe tener descarga a tierra.

- Controle el cable de alimentación antes de usarlo. Si está dañado, no lo use. Para desenchufar la unidad, tire siempre del enchufe (nunca del cable).
- Coloque el enchufe de tres clavijas que está en el extremo del cable de alimentación en un tomacorriente con descarga a tierra adecuado. No use adaptadores. Nunca corte la tercera clavija. No use cables prolongadores.
- La unidad debe utilizarse en un circuito eléctrico de 115 V/60 Hz, protegido por un interruptor del circuito de fallos de conexión a tierra (GFCI, por sus siglas en inglés).
- No utilice el aparato en agua estancada. Mantenga el motor y los cables secos.

¡ADVERTENCIA! No altere ni modifique su LGR 7000XLi de ninguna manera. Utilice únicamente repuestos autorizados por Dri-Eaz Products, Inc. Las modificaciones o el uso de repuestos no aprobados podría ocasionar algún peligro, y anulará su garantía. Para solicitar asistencia, comuníquese con su distribuidor autorizado de Dri-Eaz.

ÍNDICE

USO

Identificación de las piezas	2
Dónde colocar un deshumidificador	2
Cómo usar su deshumidificador	2
Guía sobre el panel de control	3
Al finalizar el trabajo	4
Cómo elegir el modo "humidistato"	4

MANTENIMIENTO

Cronograma de mantenimiento	7
Cómo limpiar los serpentines y el bloque	7
Cómo limpiar la válvula de la bomba	11
Cómo controlar el panel de control	16
Mensajes de error	17
Detección de problemas	18

ANTES DE COMENZAR

Registro de la garantía

Visite warranty.drieaz.com para registrar su compra. El registro nos permite brindarle mejor asistencia en el uso, el mantenimiento o la reparación de su equipo, y también comunicarnos con usted en caso de que tengamos información de seguridad importante sobre su producto de Dri-Eaz. Si considera que su producto necesita reparación, tenga a mano el modelo del equipo, el número de serie y el comprobante de compra original, y llame a su distribuidor para que lo ayude a obtener una autorización para devolver el producto (RMA, por sus siglas en inglés).

INTRODUCCIÓN

Los deshumidificadores Dri-Eaz reducen la humedad en ambientes cerrados eliminando el vapor de agua que se encuentra en el aire.

Los deshumidificadores LGR (refrigerante de grano bajo), como el 7000XLi, utilizan un sistema de preenfriamiento para eliminar el agua con más eficacia. A diferencia de las unidades refrigerantes tradicionales, los deshumidificadores LGR pueden seguir eliminando la humedad en ambientes más secos.

IDENTIFICACIÓN DE LAS PIEZAS

FIG. A: ADELANTE

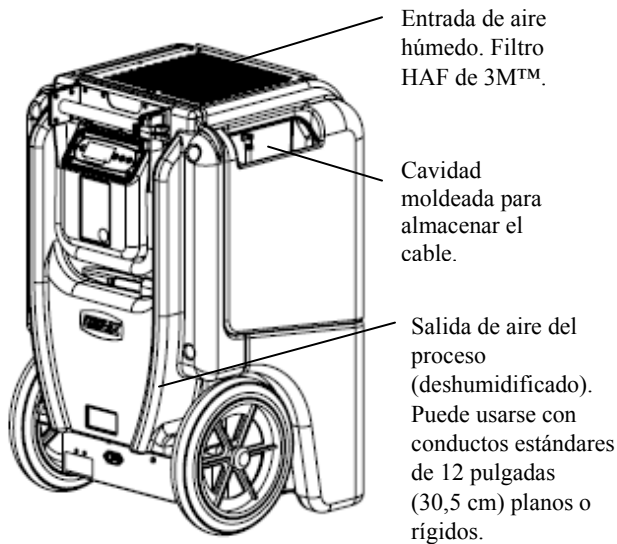


FIG. B: ATRÁS

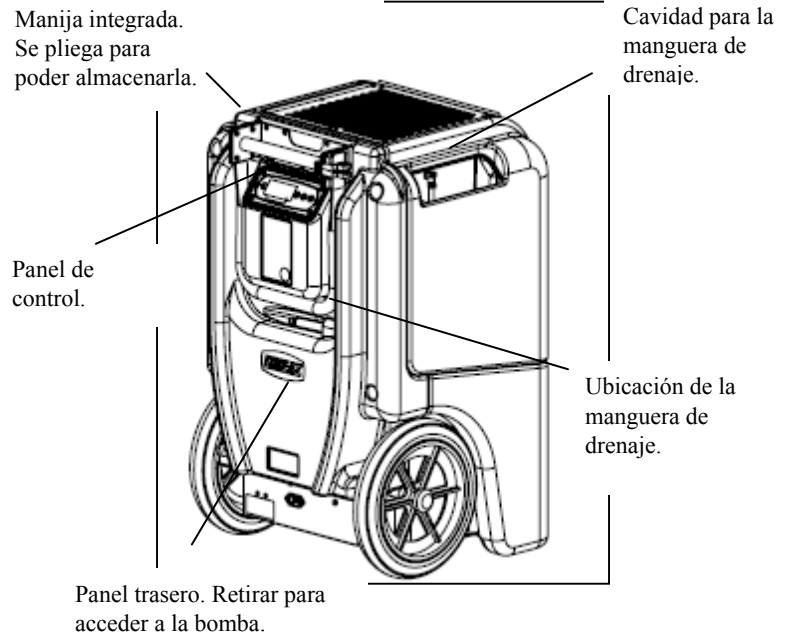
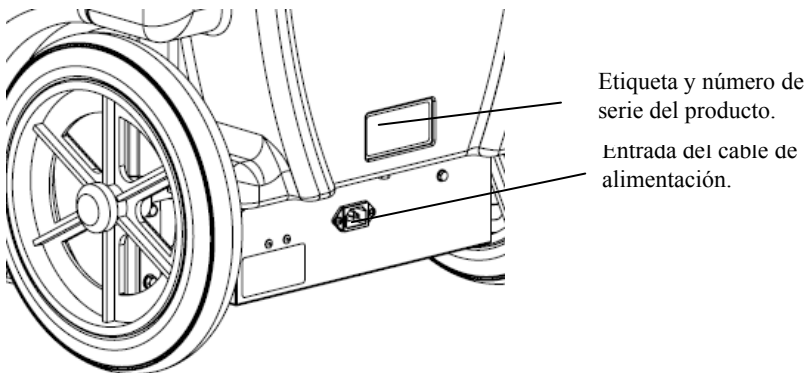


FIG. C: PUNTO DE CONEXIÓN A LA FUENTE DE ENERGÍA



CÓMO USAR SU DESHUMIDIFICADOR

Coloque la unidad en posición vertical

AVISO: Se recomienda no transportar ni guardar la unidad en posición horizontal. Cuando la máquina está en posición horizontal, el aceite del compresor puede fluir hacia los serpentines refrigerantes, lo cual puede disminuir la capacidad de funcionamiento del deshumidificador y posiblemente dañar la unidad. Si la unidad ha

estado en posición horizontal, enderézela y déjala en posición vertical durante al menos 30 minutos antes de encenderla.

Dónde colocar un deshumidificador

Para obtener mejores resultados, utilice su deshumidificador en un espacio cerrado. A fin de aumentar al máximo la eficacia de la unidad para eliminar el agua, cierre todas las puertas y ventanas que den al exterior. Coloque su deshumidificador lejos de cualquier elemento que lo obstruya y manténgalo

alejado de cualquier objeto que pueda bloquear el flujo de aire que entra en la unidad y sale de ella. Para obtener más información sobre cómo crear un ambiente de secado óptimo, llame a Dri-Eaz al 800-932-3030.

Coloque la manguera de drenaje


La bomba de condensado del modelo 7000XLi se conecta a una manguera de drenaje plástica, ubicada en la cavidad que está al costado de la unidad. Dicha manguera incluye un adaptador de conexión rápida para ajustarla fácilmente a la manguera de drenaje de 40 pies (12 m) proporcionada. Desenrolle toda la manguera y coloque el extremo suelto en una pila, un desagadero, un balde o afuera: en cualquier lugar donde el agua pueda drenar de forma segura. Si acumula el agua en un balde u otro recipiente, contrólolo con frecuencia para evitar derrames.

AVISO: Desenrosque y estire toda la manguera de drenaje. No deje ninguna parte de la manguera enroscada en la unidad ni coloque el extremo de la manguera a más de 20 pies (6 m) por encima de la parte inferior de la unidad. Controle también que no haya dobleces ni ninguna otra obstrucción que pueda impedir el paso del agua. Las obstrucciones pueden hacer que se acumule agua y se generen derrames.

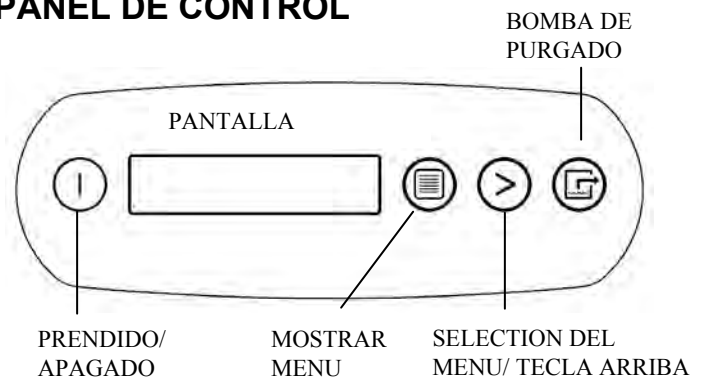
Enchufe el cable eléctrico

El deshumidificador 7000XLi debe enchufarse en un tomacorriente de 115 voltios, protegido por un GFCI, con capacidad para 15 amperios como mínimo. Saque el cable de la cavidad donde está guardado y desenrósquelo. Conecte siempre primero y con firmeza el cable que va a la unidad; después, enchufe el otro extremo del cable en un tomacorriente adecuado.

Encienda la unidad

El panel de control del deshumidificador 7000XLi tiene una pantalla y una placa sensible al tacto con cuatro teclas. Presione la tecla  PRENDIDO/APAGADO para encender la unidad.

PANEL DE CONTROL

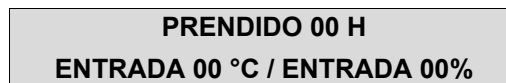


PRENDIDO/APAGADO	Presione y suelte esta tecla para encender o apagar la unidad.
MOSTRAR MENÚ	Presione esta tecla para seleccionar la siguiente opción del menú. La opción aparecerá en la pantalla.
SELECCIÓN DEL MENÚ/TECLA ARRIBA	Presione esta tecla para cambiar de un valor a otro o seleccionar valores del menú que aparece en la pantalla.
PURGAR BOMBA	Presione y suelte esta tecla para empezar el ciclo de purgado. En la pantalla, se verán los segundos que faltan para que el ciclo termine.

Pantallas de inicio y de modo normal




Cuando la unidad se enchufa por primera vez a la corriente alterna, la pantalla del panel de control mostrará rápidamente una serie de datos. Este procedimiento forma parte del autodiagnóstico de la unidad y no se necesita la intervención del usuario.

Cuando finaliza el autodiagnóstico, la pantalla exhibirá la información correspondiente al **modo normal**.



La **primera línea** de la pantalla indica la cantidad total de horas que ha funcionado la unidad. Este valor puede llevarse a cero para hacer un seguimiento de las horas de trabajo (vea más abajo "Reinicio de las horas de trabajo"). La **segunda línea** de la pantalla alterna la temperatura de entrada con la humedad de entrada.

Menú de configuraciones del usuario

El usuario puede cambiar varias configuraciones. También puede aparecer en la pantalla información del sistema. Se accede a estas opciones presionando la tecla  MOSTRAR MENÚ. Cada vez que presione la tecla, verá en la pantalla el parámetro siguiente. Cuando llegue al parámetro que quiere modificar, presione la tecla  SELECCIÓN DEL MENÚ para aumentar el valor. Vuelva a presionar  MOSTRAR MENÚ para aceptar el cambio y reiniciar el ciclo que muestra la pantalla. Si en el término de 20 segundos no presiona ninguna tecla, la pantalla se reiniciará automáticamente y volverá al modo normal.

Tenga en cuenta que solamente pueden ajustarse los elementos del menú seguidos por el símbolo de mayor que (>).

Todas las configuraciones y los modos se explican detalladamente en la Guía sobre el panel de control que figura en la página 3.

Mensajes de error

Si el sistema de diagnóstico integrado al modelo 7000XLi detecta un problema, la unidad mostrará un mensaje de error. Consulte “Mensajes de error” en la página 17 para acceder a una explicación de cada mensaje.

Guía sobre el panel de control

① **PRENDIDO/APAGADO.** Presione esta tecla para encender o apagar la unidad. Cuando la máquina está encendida, suele aparecer en la pantalla la leyenda POR FAVOR ESPERE RETAR COMPRES y se produce una cuenta regresiva que va desde un máximo de 60 segundos hasta 0. Esta demora permite que las presiones de refrigerado se equilibren para que el comienzo sea más sencillo. Una vez que finaliza el retardo del compresor, aparece en la pantalla PRENDIDO XX H, y se alterna el mensaje ENTRADA XX °F con el mensaje ENTRADA XX%. NOTA: Si no aparece una cuenta regresiva por el retardo del compresor, significa que dicho retardo no es necesario y la máquina comenzará a funcionar de inmediato.

⊞ **MOSTRAR MENÚ.** Presione esta tecla para ver en la pantalla los distintos estados del deshumidificador, así como las configuraciones del usuario. Para volver al menú principal, presione la tecla PRENDIDO/APAGADO una sola vez.

➤ **SELECCIÓN DEL MENÚ.** Presione esta tecla para cambiar los valores de las configuraciones establecidas por el usuario. La tecla SELECCIÓN DEL MENÚ también funciona como la tecla ARRIBA, la cual permite modificar el valor prefijado para que la unidad funcione en modo “humidistato”. Para obtener una descripción detallada, consulte “Menú de configuraciones del usuario” (más abajo).

⊞ **PURGAR.** Presione esta tecla para eliminar el agua que se encuentra en el depósito de la bomba de condensado. En la pantalla se verá la leyenda BOMBA PURGANDO y una cuenta regresiva. NOTA: Durante el funcionamiento normal, la bomba se purga automáticamente cada seis minutos, o cada vez que el depósito esté lleno.

Cómo cambiar las configuraciones y ver la información del sistema

El usuario puede cambiar varias configuraciones. También tiene disponible información del sistema. Se accede a estas opciones presionando la tecla ⊞

MOSTRAR MENÚ. Cada vez que presione la tecla, verá en la pantalla el parámetro siguiente (vea la lista más abajo). Cuando llegue al parámetro que quiere modificar, presione ➤ SELECCIÓN DEL MENÚ para aumentar el valor. Vuelva a presionar ⊞ MOSTRAR MENÚ para aceptar el cambio y reiniciar el ciclo que muestra la pantalla. Si en el término de 20 segundos no presiona ninguna tecla, la pantalla se reiniciará automáticamente y volverá al modo normal.

Tenga en cuenta que pueden ajustarse solamente los elementos del menú seguidos por el símbolo de mayor que (>).

¿REINICIO DE LAS HORAS DE TRABAJO? >

Presione ➤ SELECCIÓN DEL MENÚ para llevar las horas a cero. NOTA: Cuando esté en modo “humidistato”, en lugar de HORAS DE TRABAJO, la unidad mostrará la palabra HUMIDISTATO en la línea superior durante el funcionamiento normal.

TOTAL DE HORAS 00 H

Muestra la totalidad de horas de funcionamiento de la unidad. El valor no puede modificarse.

ENTRADA	SALIDA
00° 00%	00° 00%

Muestra la temperatura y la humedad relativa de entrada y salida que hay en el momento.

Modo “humidistato”

MODO HUMIDISTATO PRENDIDO/APAGADO >

En modo “PRENDIDO”, la unidad mantendrá el valor prefijado del humidistato (vea más abajo). Presione ➤ SELECCIÓN DEL MENÚ para cambiar de PRENDIDO a APAGADO. NOTA: Cuando esté en modo “humidistato”, en lugar de HORAS DE TRABAJO, la unidad mostrará la palabra HUMIDISTATO en la línea superior durante el funcionamiento normal.


VALOR PREFIJADO HUMIDISTATO 00% >

Establece el nivel de humedad cuando la unidad está en modo “humidistato”. Presione ➤ SELECCIÓN DEL MENÚ para cambiar el valor de la humedad relativa. Cada vez que se presiona la tecla, la configuración aumenta el 5%, llega hasta el 90% de humedad relativa y vuelve a comenzar en 30% de humedad relativa.

UNIDADES DE TEMPERATURA F° >

Muestra la escala de temperatura actual. Presione ➤ SELECCIÓN DEL MENÚ para seleccionar grados Fahrenheit o centígrados.

**IDIOMA
ESPAÑOL >**

Muestra el idioma actual de la pantalla. Presione  SELECCIÓN DEL MENÚ para elegir español, alemán, francés o inglés.

**TEMP SERPENT
00 °F**

Muestra la temperatura del serpentín (evaporador) frío.

**SENSOR ID >
0000000**

Esta función no se usa en el modelo 7000XLi.

**CORR COMPR
0.0 A**

Muestra la corriente del compresor en amperios.

AL FINALIZAR EL TRABAJO

Para evitar que caigan gotas al mover la unidad, siga los siguientes pasos adicionales a fin de asegurarse de que se haya eliminado toda el agua de la unidad.

AVISO: Para que el tanque de condensado se vacíe por completo durante el ciclo de purgado, asegúrese de que la unidad esté en posición totalmente vertical.

1. Si la unidad está en ciclo de descongelación, no haga nada hasta que vuelva al modo de funcionamiento normal. Para verificarlo, lea el panel de control. Allí aparecerá una de las siguientes leyendas:


Descongelación en proceso:

**PRENDIDO 00 H
CICLO DESCONGEL**

Pantalla correspondiente al modo normal:

**PRENDIDO 00 H
ENTRADA XX° F**

No haga nada hasta que en el panel de control aparezca la pantalla correspondiente al *modo normal*.

2. Balancee suavemente la unidad en posición vertical sobre sus ruedas a fin de asegurarse de que el agua que pueda quedar en las superficies interiores caiga en el sumidero.
3. Presione la tecla  PURGAR. Cuando se complete el ciclo de purgado, apague la unidad.
4. Quite la manguera de drenaje externa, vacíela con cuidado y vuelva a colocarla en la cavidad que está en el costado de la unidad.
5. Desconecte el cable de alimentación del suministro de energía y de la base de la máquina, enrósquelo con prolijidad y colóquelo nuevamente en la cavidad para guardarlo (vea la Fig. A).


TRANSPORTE Y ALMACENAMIENTO

AVISO: Manipule la unidad con cuidado. No la tire ni la apoye en lugares donde pueda caerse. Si no trata este equipo con cuidado, puede dañarse y ocasionar algún peligro, o bien anular la garantía.

- No exponga el panel de control a humedad, nieve o lluvia.
- Almacénelo y transpórtelo de manera segura para evitar cualquier impacto que dañe las piezas internas.
- Cuando transporte la unidad, asegúrela para evitar desplazamientos y posibles daños a los ocupantes del vehículo.

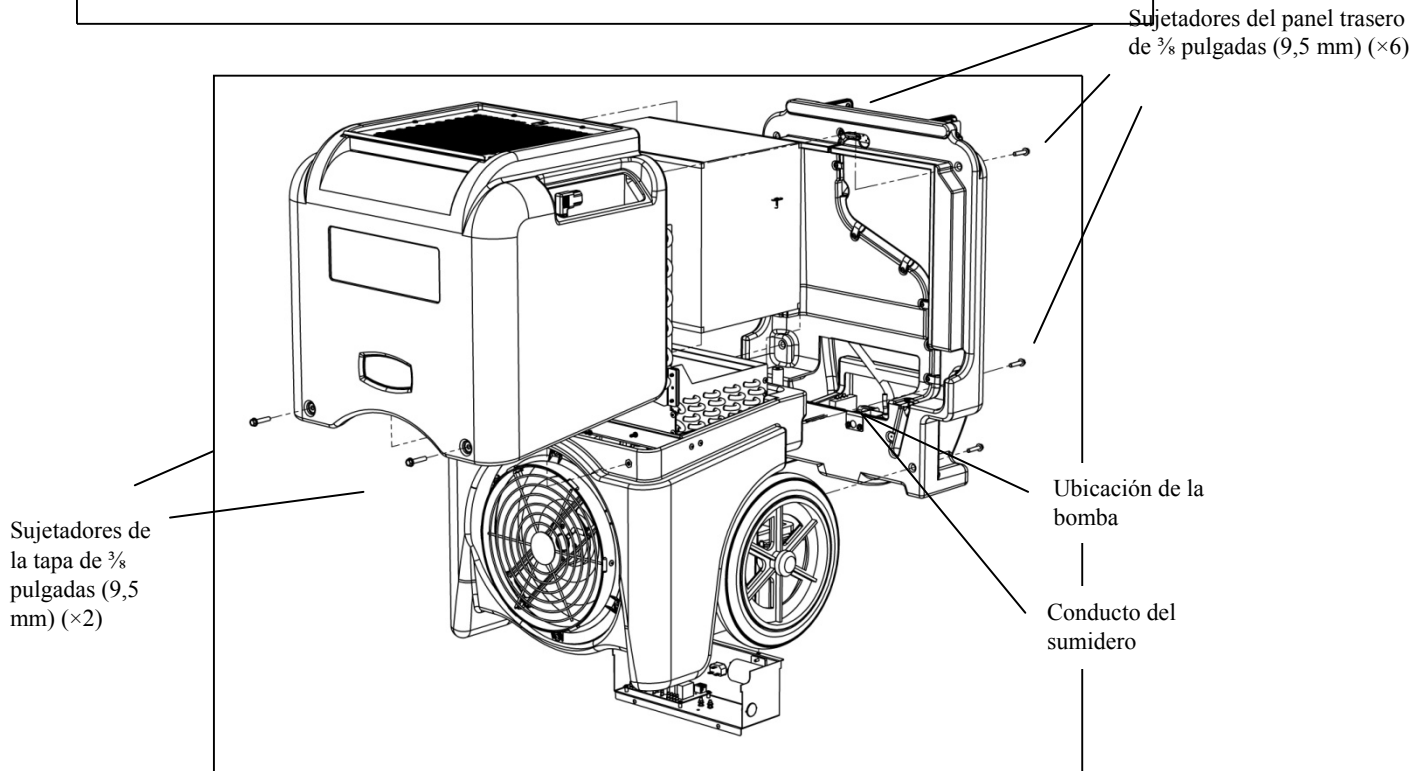
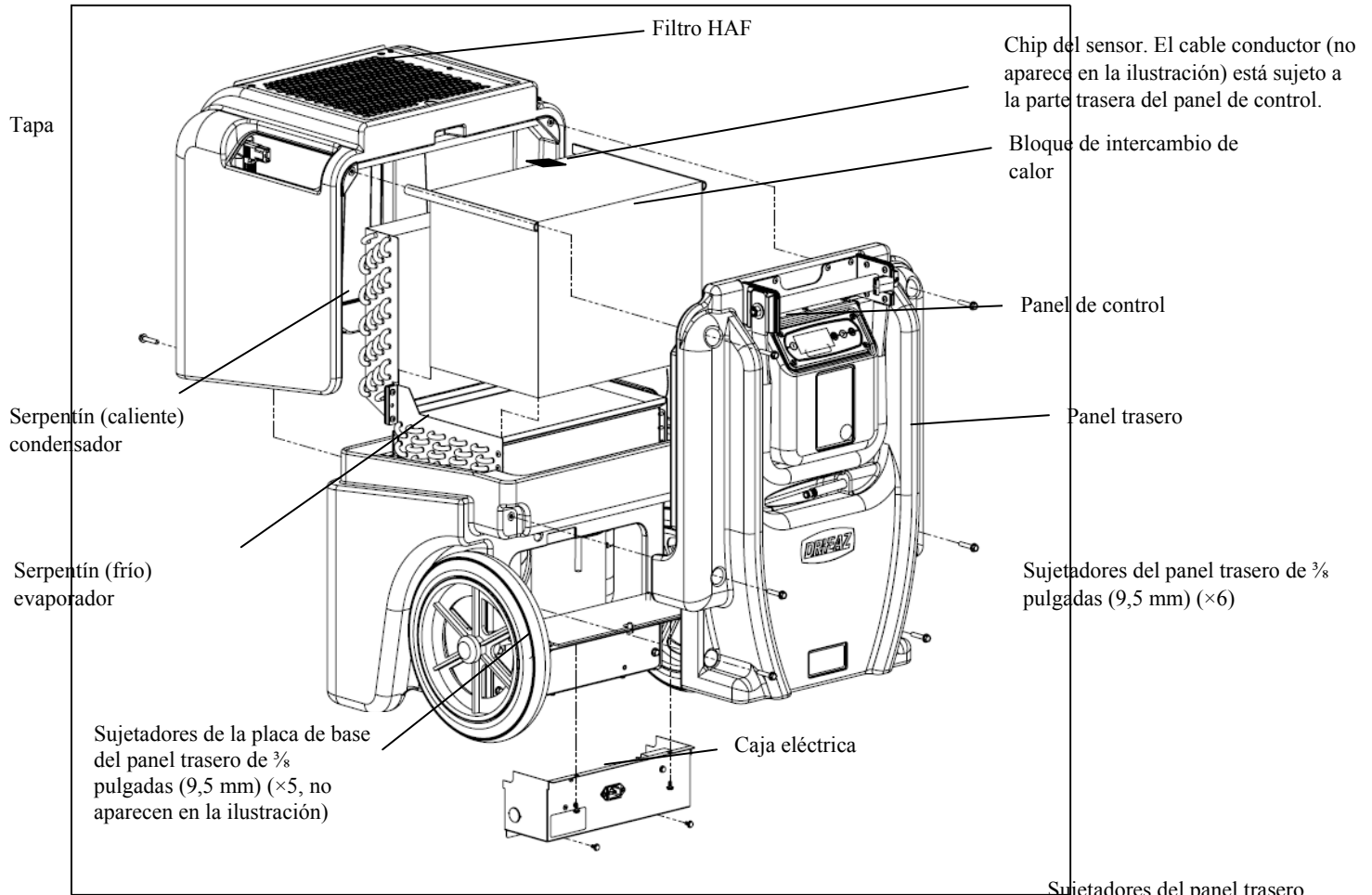
Consejo especial para el traslado por escaleras:

Antes de trasladar la unidad por escaleras, siga los siguientes pasos adicionales para asegurarse de que se haya eliminado toda el agua de la unidad:

1. Apague la unidad una vez finalizado el ciclo de descongelación. Balancee suavemente la unidad en posición vertical sobre sus ruedas a fin de asegurarse de que el agua que pueda quedar en las superficies interiores caiga en el sumidero.
2. Presione la tecla  PURGAR. Cuando se complete el ciclo de purgado, apague la unidad.
3. Quite la manguera de drenaje externa, vacíela con cuidado y vuelva a colocarla en la cavidad que está en el costado de la unidad.

4. IMPORTANTE: Desconecte el cable de alimentación de la base de la unidad, enrósquelo con prolijidad y colóquelo nuevamente en la cavidad para guardarlo. De este modo, evitará que el cable se atasque en las escaleras y sufra posibles daños.

FIG. D: GRÁFICO DE LAS PIEZAS



CRONOGRAMA DE MANTENIMIENTO

¡ADVERTENCIA! PELIGRO DE DESCARGA ELÉCTRICA. Desenchufe el deshumidificador antes de realizar cualquier tarea de mantenimiento.

ADVERTENCIA: Riesgo de exposición a polvo y sustancias contaminantes. Se recomienda usar máscara respiratoria y guantes. En caso de que la unidad haya estado expuesta a sustancias contaminantes potencialmente peligrosas, límpiela por completo y desinfectela antes de volver a usarla.

AVISO: La unidad está equipada con sensores electrónicos sensibles. Proteja de cualquier daño los sensores y sus cables conductores, y evite el contacto con el agua o con cualquier solución de limpieza.

Se necesitan las siguientes herramientas y suministros para llevar a cabo las tareas de mantenimiento descritas en este manual:

- Destornillador Philips
- Destornillador de punta plana
- Pinzas de punta aguja
- Llave de tuercas de $\frac{9}{16}$ pulgadas (1,5 cm)
- Llave de tubos de $\frac{3}{8}$ pulgadas (9,5 mm)
- Llave de tubos de $\frac{5}{16}$ pulgadas (8 mm) (para sacar la bomba)
- Prolongador de llave de tubos de 6 pulgadas (15 cm)
- Llave de trinquete
- Paños de limpieza
- Aspiradora con filtro de partículas de aire de alto rendimiento High Efficiency Particulate Air (HEPA) con boquilla de cepillo suave y boquilla para lugares difíciles de alcanzar.

También se recomienda:

Perforadora inalámbrica, cuchillo pequeño, pinzas de boca pequeña, solución de limpieza para serpentines, solución de limpieza para armazón rotomoldeado

Antes de cada uso

Controle el cable eléctrico para detectar daños. Asegúrese de que el cable no esté pelado, cortado, etc. Reemplácelo si detecta algún daño.

Inspeccione, aspire o cambie el filtro. El filtro de aire High Airflow (HAF) de 3M™ **puede limpiarse con aspiradora y volver a usarse hasta tres veces antes de ser reemplazado.** Use una aspiradora HEPA y un cepillo para eliminar cualquier resto de polvo o suciedad. No use aire comprimido ni esponga el filtro a ninguna sustancia líquida, ya que podría dañarlo.

AVISO: Reemplace los filtros usados únicamente con un filtro HAF nuevo (pieza n.º F368 de Dri-Eaz). El resto de los filtros no ofrecen el filtrado ni el flujo de aire adecuados. Asegúrese de colocar el filtro nuevo en el sentido correcto. Consulte “Cómo colocar el filtro HAF” en la página 8 y “Acerca de los filtros HAF” más abajo.

Una vez al mes

Controle los serpentines y el bloque de intercambio de calor. Límpielos cuando note que se haya acumulado polvo. En condiciones normales de uso, el polvo puede acumularse y restringir el flujo de aire, lo cual reduce el rendimiento de la unidad y hace que se recaliente. Consulte “Cómo limpiar los serpentines y el bloque de intercambio de calor” en la página 7.

Para mantener el buen aspecto, limpie las superficies internas y externas con un paño húmedo. Para limpiar la unidad a fondo y protegerla con una capa de brillo duradera, use el limpiador MicroGuard Cleaner y la sustancia protectora MicroGuard Protectant, ambos disponibles en Dri-Eaz, o cualquier producto similar para el interior de los automóviles.

Cuando sea necesario

Limpie el recipiente y la válvula de retención de la bomba. Si en la unidad aparece el mensaje “ER9 BOMBA TAPADA, CONTROLE LA BOMBA Y LA MANGUERA”, es posible que haya que limpiar la válvula de retención de la bomba y el recipiente de la bomba. Para ello, es necesario sacar la tapa trasera. Para leer las instrucciones, consulte “Cómo controlar y limpiar la bomba” en la página 11.

Limpie los serpentines y el bloque de intercambio de calor. Retire la tapa trasera y verifique el serpentín evaporador (frío) horizontal. En caso de exceso de polvo y suciedad, aspirelo a fondo y/o límpielo con un limpiador de serpentines. Consulte “Cómo limpiar los serpentines y el bloque de intercambio de calor” en la página 7.

CÓMO LIMPIAR LOS SERPENTINES Y EL BLOQUE DE INTERCAMBIO DE CALOR

Para contribuir a que la unidad siga funcionando eficazmente, mantenga limpios los serpentines y el bloque de intercambio de calor de aire a aire, y elimine periódicamente de las superficies internas cualquier resto de polvo y suciedad que se haya acumulado. Consulte “Cómo limpiar los serpentines y el bloque de intercambio de calor” en la página 7.

ACERCA DE LOS FILTROS HAF DE 3M™

Los filtros HAF de 3M proporcionan una retención superior de partículas, resisten la formación de microbios en las superficies del filtro y permiten el máximo flujo de aire durante el ciclo de carga del filtro. Para garantizar la máxima protección del equipo, los técnicos y el lugar de trabajo, siga las siguientes pautas:

Reemplace el filtro HAF cuando se haya limpiado con aspiradora y vuelto a usar tres veces. Los filtros HAF pierden su eficacia después de tres usos.

Reemplace el filtro HAF cuando se haya usado en tareas de eliminación de moho o se lo haya expuesto a sustancias contaminantes potencialmente peligrosas. Al usar un filtro contaminado en forma continua se corre el riesgo de propagar la contaminación.

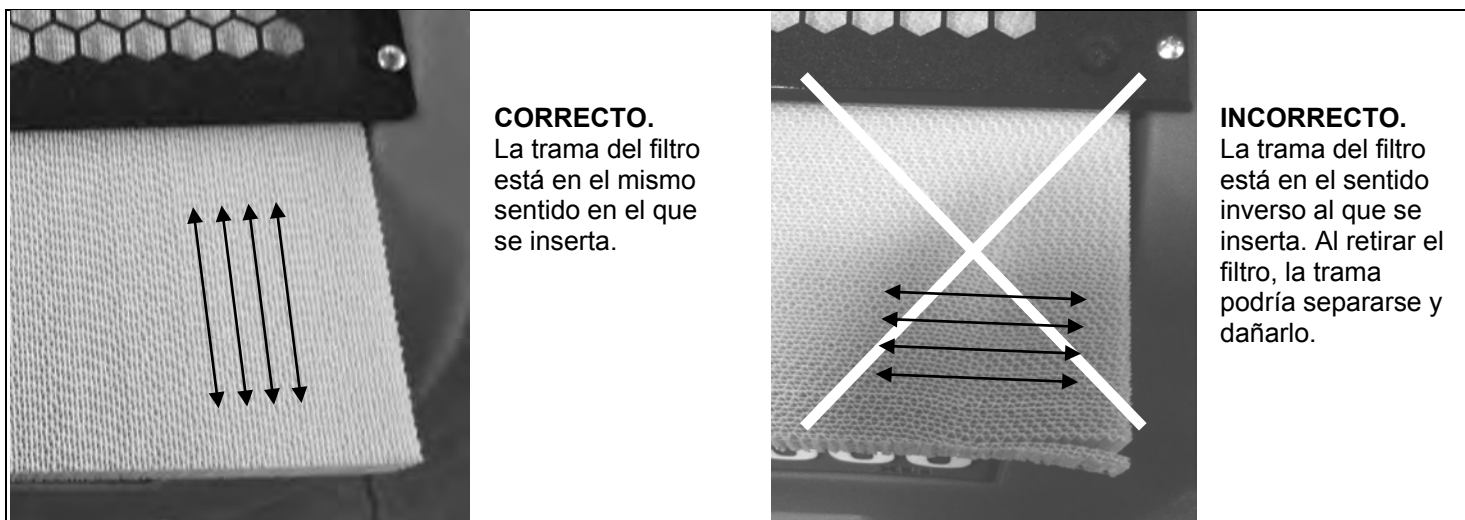
No lave ni aplique líquidos en el filtro HAF. La exposición a sustancias líquidas reducirá la eficacia del material electrostático.

No ponga en funcionamiento la unidad si el filtro HAF no está colocado. No ponga en funcionamiento la unidad con ningún otro tipo de filtro. El filtrado incorrecto reducirá la eficacia de la unidad y puede dañarla.

No ponga en funcionamiento la unidad cuando haya exceso de polvo o partículas en el aire. Los volúmenes elevados de partículas presentes durante el lijado, la pintura con pulverizador o tareas similares pueden obstruir la unidad y dañarla.

Cómo colocar el filtro HAF

Para evitar que su filtro HAF se dañe, asegúrese de colocarlo en el sentido correcto.



Cómo desarmar la unidad para limpiar los serpentines y el bloque de intercambio de calor

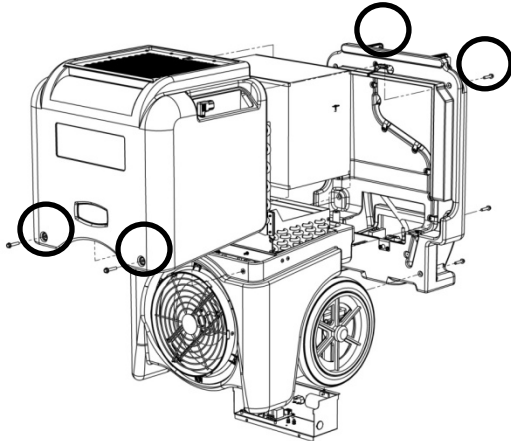
ADVERTENCIA: Desenchufe la unidad antes de hacerle mantenimiento.

ADVERTENCIA: Riesgo de exposición a polvo y sustancias contaminantes. Se recomienda usar máscara respiratoria y guantes. En caso de que la unidad haya estado expuesta a sustancias contaminantes potencialmente peligrosas, límpiela por completo y desinfectela antes de volver a usarla.

AVISO: La unidad está equipada con sensores electrónicos sensibles. Proteja de cualquier daño los sensores y sus cables conductores, y evite el contacto con el agua o con cualquier solución de limpieza.

Antes de comenzar, saque la manguera de la bomba de la conexión rápida.

Retire de la tapa los cuatro pernos de $\frac{3}{8}$ pulgadas (9,5 mm) que aparecen en la imagen:



Levante la tapa frontal y déjela a un lado.



Desconecte del bloque el montaje del chip del sensor. Levante suavemente el chip junto con la clavija de montaje para retirarlos del bloque.

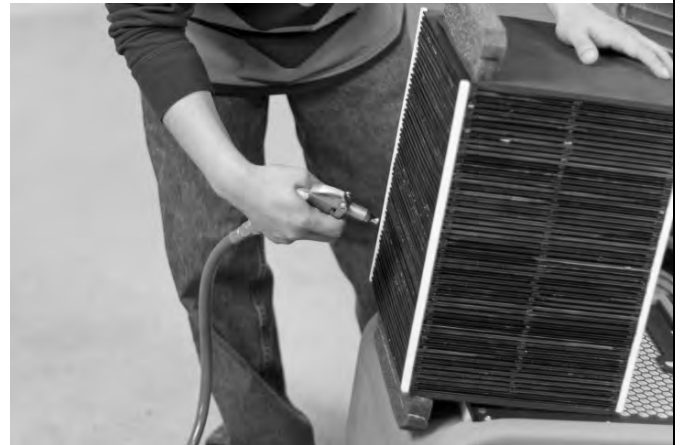
¡AVISO! El montaje del chip del sensor es frágil. Manipúlelo siempre con cuidado. Para evitar que el sensor se dañe con una descarga de electricidad estática, no toque el sistema de circuitos del sensor y evite el contacto de cualquier cinta o material con dicho sistema.



Levante el bloque de intercambio de calor de manera vertical respecto de la base. Tenga en cuenta la orientación del bloque para cuando tenga que volver a armarlo.



Controle con detenimiento el bloque de intercambio de calor. En caso de que haya polvo, utilice aire comprimido o una aspiradora HEPA para limpiar cuidadosamente las canaletas del bloque.



Verifique el serpentín condensador (caliente) vertical. En caso de que haya polvo, limpie ambos lados del serpentín con una aspiradora o con aire comprimido. Tenga cuidado de no doblar ni dañar las aletas. Limpie con la aspiradora las superficies externas (imagen) e internas del serpentín vertical.

AVISO: No limpie el serpentín condensador vertical con solución de limpieza para serpentines. La solución puede gotear y dañar componentes internos sensibles.

El serpentín evaporador (frío) horizontal (no aparece en la imagen) también debe limpiarse con aspiradora. Para una limpieza más a fondo, retire la tapa trasera y utilice un limpiador de serpentines. Consulte “Cómo controlar y limpiar la válvula de retención de la bomba” en la página 11.



Cómo volver a colocar el bloque de calor y la tapa superior

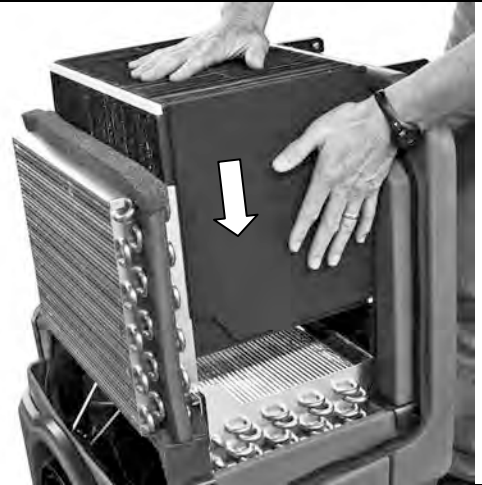
AVISO: Asegúrese de que los pernos del armazón estén bien colocados antes de ajustarlos. No los ajuste demasiado. ¡No utilice una herramienta eléctrica!

Vuelva a colocar el bloque de intercambio de calor.

Asegúrese de hacerlo en la posición original.

Vuelva a asentar con cuidado **el bloque de intercambio de calor**. Asegúrese de que el bloque esté alineado con la base y el serpentín condensador (caliente) vertical.

Asegúrese de que la parte superior del bloque esté al mismo nivel que la parte superior del serpentín condensador.



Vuelva a colocar el montaje del chip del sensor en el bloque de intercambio de calor.

¡AVISO! El montaje del chip del sensor es frágil. Manipúlelo siempre con cuidado. Para evitar que el sensor sufra posibles daños con una descarga de electricidad estática, no toque el sistema de circuitos del sensor y evite el contacto de cualquier cinta o material con dicho sistema.

Deslice la tapa superior hacia abajo hasta que encastre en el lugar correspondiente. Asegúrese de que los burletes de gomaespuma estén bien colocados y no estén torcidos ni doblados.



Vuelva a colocar la tapa frontal. Coloque y ajuste manualmente los pernos de $\frac{3}{8}$ pulgadas (9,5 mm) de la tapa frontal. Una vez ajustados, coloque y ajuste los dos pernos de la tapa trasera.

AVISO: Asegúrese de que los pernos del armazón estén bien colocados antes de ajustarlos. No los ajuste demasiado. ¡No utilice una herramienta eléctrica!

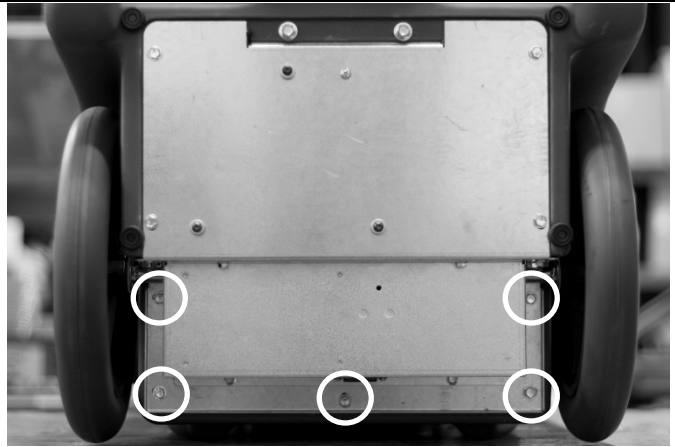
La unidad ya está lista para usar.

CÓMO CONTROLAR Y LIMPIAR LA VÁLVULA DE RETENCIÓN DE LA BOMBA

Retire los cinco pernos de $\frac{3}{8}$ pulgadas (9,5 mm) que se encuentran en la placa de base. Para acceder a estos pernos más fácilmente, apoye la unidad sobre la parte trasera.

AVISO: No apoye la unidad sobre el frente, ya que cualquier exceso de agua residual podría gotear sobre componentes electrónicos sensibles.

Retire la tapa frontal como se explica en “Cómo desarmar la unidad para limpiar los serpentines y el bloque de intercambio de calor” en la página 8.



Coloque la unidad en posición vertical y retire la tapa frontal como se explica en “Cómo desarmar la unidad para limpiar los serpentines y el bloque de intercambio de calor” en la página 8.

Después, retire los cuatros pernos de $\frac{3}{8}$ pulgadas (9,5 mm) que se encuentran en el panel trasero.



Separe de la unidad la parte superior del panel trasero e inclínelo hasta que quede en posición horizontal frente a la unidad. No es necesario desconectar el arnés de cableado del panel trasero ni de la caja eléctrica.



Limpie el serpentín frío (evaporador) horizontal. Use una aspiradora o un limpiador de serpentines condensadores. Si usa un limpiador de serpentines, utilice un recipiente pequeño para recolectar el líquido que caiga del recipiente de drenaje.



Limpie y controle la válvula de retención de la bomba. Primero, utilice pinzas de punta aguja para sacar la manguera de extracción del conector dentado que se encuentra en la bomba. Inserte la manguera en el almacén de la tapa trasera.



Retire los dos pernos de $\frac{5}{16}$ pulgadas (8 mm) que sostienen el soporte para el montaje de la bomba.



Deslice la bomba y el soporte correspondiente hasta retirarlos del hueco de la bomba. No es necesario desconectar ningún cable eléctrico.

Cuando haya sacado la bomba del armazón, gírela hacia arriba y hacia afuera del hueco de la bomba para acceder más fácilmente a la válvula de retención.

AVISO: Asegúrese de no doblar ni dañar el flotador tipo “malvavisco”.



Limpie y controle la válvula de retención. Con una llave de tuercas de $\frac{9}{16}$ pulgadas (1,5 cm), desenrosque el conector de la válvula de retención y retírelo de la bomba.



Con una pinza de boca pequeña, retire cuidadosamente el accesorio de compresión de la válvula y la válvula tipo “pico de pato”.



Enjuague los tres componentes con agua limpia.

Vuelva a encastrar los componentes de la válvula de retención en el orden indicado.



Vuelva a enroscar la válvula de retención en la salida de la bomba.

AVISO: Asegúrese de que el aro tórico esté bien colocado antes de ajustarlo. No lo ajuste demasiado.

Limpie el recipiente de la bomba con un paño limpio y seco.

Cómo volver a colocar la bomba y la tapa trasera

Vuelva a colocar la bomba. Deslice la bomba y el soporte de la bomba hasta colocarlos en su lugar.

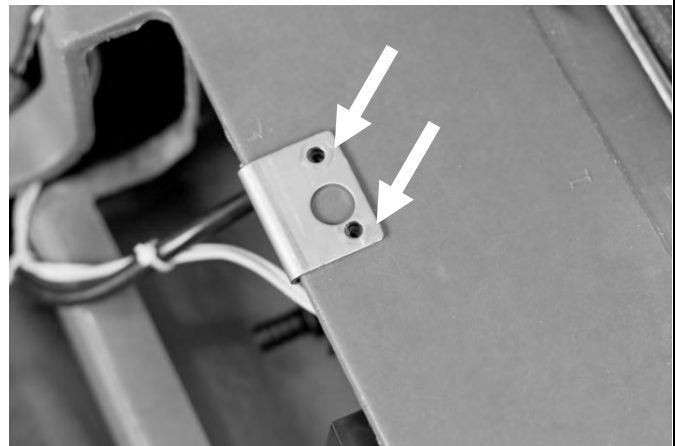


Asegúrese de que los dos agujeros del soporte, el armazón rotomoldeado y el recipiente de la bomba estén bien alineados antes de colocar y ajustar los pernos manualmente.

Vuelva a colocar los dos pernos de $\frac{3}{8}$ pulgadas (9,5 mm) que sostienen el soporte para el montaje de la bomba. No los ajuste demasiado.

Vuelva a colocar la manguera de drenaje en la salida de la bomba.

Levante la tapa trasera hasta colocarla en su lugar. Asegúrese de que los burletes estén bien alineados y no estén torcidos.



Vuelva a colocar los cuatro pernos en la mitad inferior de la tapa trasera. Ajuste los pernos pero no los apriete.
Ahora apoye la unidad sobre la parte trasera.

AVISO: Asegúrese de que los pernos del armazón estén bien colocados antes de ajustarlos. No los ajuste demasiado. ¡No utilice una herramienta eléctrica!

Vuelva a colocar los cinco pernos de $\frac{3}{8}$ pulgadas (9,5 mm) que se encuentran en la placa inferior.

Ahora enderece la unidad y ajuste los cuatro pernos de la tapa trasera.

Vuelva a colocar la tapa superior. Consulte “Cómo volver a colocar el bloque de calor y la tapa superior” en la página 10.

CONSEJO: Para sellar mejor la unidad, ajuste los pernos de la tapa poco a poco comenzando desde abajo hacia arriba. A medida que lo haga, asegúrese de que los pernos estén bien alineados y de que todas las juntas estén en su lugar y no estén torcidas.

La unidad ya está lista para usar.

CÓMO CONTROLAR EL PANEL DE CONTROL

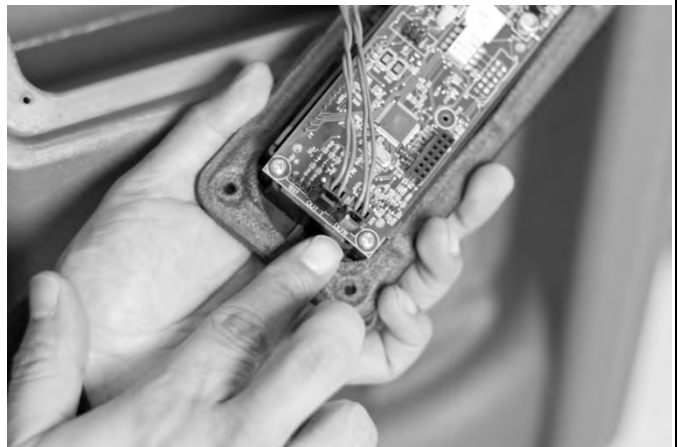
Con un destornillador Philips, retire los cuatro tornillos de sujeción de la placa de base.

Levante cuidadosamente el panel de control. Las conexiones del sensor están ubicadas en la parte de abajo del panel.



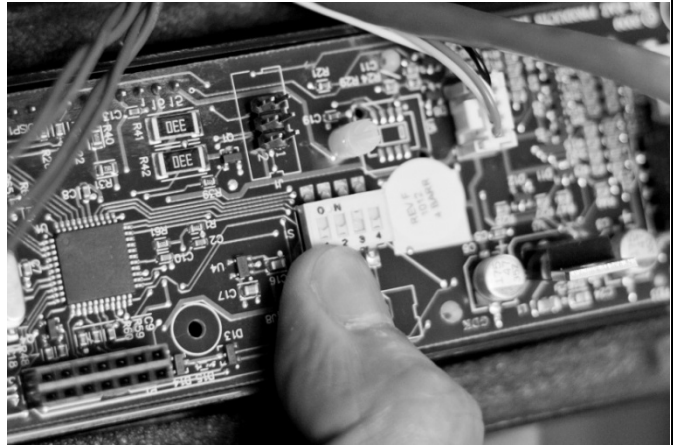
Las conexiones del sensor tienen un rótulo que indica el sensor de temperatura de salida ("OUT T") y el sensor de descongelación ("DEFRR").

Tenga en cuenta que el cable del sensor de descongelación está indicado con pintura plateada. Asegúrese de que cada cable esté bien conectado y ubicado en el lugar correcto.



El interruptor de paquete en línea doble (PLD) está ubicado en el centro del panel. No cambie las configuraciones del PLD a menos que así se lo indique personal de servicio técnico capacitado.

¡AVISO! La placa del circuito del panel de control contiene componentes electrónicos sensibles. Manipúlela siempre con cuidado. Para evitar que la placa del circuito se dañe con una descarga de electricidad estática, no toque el sistema de circuitos y evite el contacto de cualquier cinta o material con la placa del circuito.



Al finalizar el control, vuelva a colocar el dispositivo de control en el armazón y ajuste los tornillos. No los ajuste demasiado.

MENSAJES DE ERROR

El sistema de control del LGR 7000XLi controla constantemente las condiciones internas de funcionamiento. Si el sistema detecta un problema, generará un mensaje de error (“ER”) que indicará el problema. Si la pantalla arroja un mensaje de ER, primero desenchufe la unidad y luego vuelva a enchufarla. Este procedimiento suele reiniciar los componentes electrónicos y hacer que la unidad vuelva a funcionar normalmente. Si el mensaje de error vuelve a aparecer, consulte la explicación y solución que se muestran más abajo. Si persiste el problema, comuníquese con el centro de servicio técnico autorizado de su zona o con el Departamento de Servicio Técnico de Dri-Eaz al 800-932-3030.

NOTA: El mensaje “FALLA ELÉCTRICA” no es un error del sistema. Cuando aparece este mensaje, significa que la unidad dejó de recibir electricidad durante determinado período. Para eliminar el mensaje, presione la tecla > SELECCIÓN DEL MENÚ.

MENSAJE DEL PANEL DE CONTROL	EXPLICACIÓN Y SOLUCIÓN
ER1 CONTACTAR CENTRO DE SERV	Error de voltaje. Asegúrese de que la unidad esté conectada a una fuente de energía de corriente alterna adecuada y de que el circuito no esté sobrecargado. Si la fuente de energía es adecuada, es posible que tenga que reemplazar el panel de control electrónico. Si persiste el error, llame al servicio técnico.
ER2 CONTACTAR CENTRO DE SERV	Error en el panel de control. Es posible que tenga que reemplazar el panel de control electrónico. Si persiste el error, llame al servicio técnico.
ER3 CONTACTAR CENTRO DE SERV	La unidad permanece en modo “descongelación” durante mucho tiempo. Controle el cable del sensor de descongelación para ver si la conexión es correcta. Consulte “Cómo controlar el panel de control”, en la página 16, para obtener instrucciones. Si persiste el error, es posible que haya que reemplazar el montaje del sensor. Llame al servicio técnico.
ER4 ✓ CONEXIÓN SENSOR DESCONG – mensaje alternativo – ER4 ✓ CONEXIÓN SENSOR SALIDA	Error de sensor. Controle el cable del sensor de descongelación para ver si la conexión es correcta. Consulte “Cómo controlar el panel de control”, en la página 16, para obtener instrucciones. Si persiste el error, es posible que haya que reemplazar el montaje del sensor. Llame al servicio técnico.
ER5 ✓ CONEXIÓN SENSOR TABLERO	Error en el tablero de bajo voltaje. Controle el cable del sensor de temperatura de salida para ver si la conexión es correcta. Consulte “Cómo controlar el panel de control”, en la página 16, para obtener instrucciones. Si persiste el error, es posible que haya que reemplazar el montaje del sensor. Llame al servicio técnico.
ER6 CONTACTAR CENTRO DE SERV	Error de alto voltaje. Es posible que haya que reemplazar el tablero de alto voltaje. Si persiste el error, llame al servicio técnico.
ER7 CONF MOD INVAL	Es posible que las configuraciones del interruptor de PLD del panel de control o el tipo de microprograma sean incorrectos. Si persiste el error, llame al servicio técnico. Es posible que el personal de servicio técnico le pida que verifique las configuraciones del interruptor de PLD. Consulte “Cómo controlar el panel de control”, en la página 16, para obtener instrucciones.
ER8 BOTÓN ATORADO ✓ TODOS LOS BOTONES	Presione cada tecla de membrana y controle que funcione correctamente. Si no funciona una tecla o si persiste el error, es posible que haya que reemplazar la cubierta de membrana. Llame al servicio técnico.
ER9 BOMBA TAPADA ✓ CONTR BOMBA Y MANG	Controle que no haya obstrucciones en la manguera de drenaje. Si está tapada, retire la manguera de la unidad y límpiela por dentro con aire comprimido. Controle y limpie la válvula de retención de la bomba y el recipiente de la bomba. Consulte “Cómo limpiar y hacerle mantenimiento a la bomba” en la página 11.

DETECCIÓN DE PROBLEMAS

FALLA	MOTIVO	SOLUCIÓN
Gotea agua cuando se mueve la unidad.	Se desenchufó la unidad antes de que terminara el ciclo de purgado.	Purgue la unidad antes de moverla. Consulte "Al finalizar el trabajo" en la página 4.
La unidad no funciona.	Unidad desenchufada. La máquina no recibe electricidad.	Enciéndala. Enchufe la unidad; revise la conexión del cable de alimentación en el tomacorriente de la pared y en la base de la unidad.
La rueda del soplador no gira.	Soplador obstruido.	Quite el aro del conducto y la rejilla, y elimine la obstrucción. Vuelva a colocar el aro del conducto y la rejilla.
La unidad funciona, pero la habitación no se seca.	Tiempo de secado insuficiente. Poca circulación de aire en la habitación. Infiltración excesiva de aire húmedo.	Permita más tiempo de secado. Aumente la circulación de aire con ventiladores. Selle el área para reducir la infiltración.
La unidad junta muy poca agua.	El aire de la habitación está seco. La temperatura de la habitación es demasiado baja. El filtro HAF está lleno. El bloque de intercambio de calor y/o los serpentines están tapados.	Controle el nivel de humedad con un higrómetro. Aumente la temperatura de la habitación. Controle el filtro. Límpielo o reemplácelo si es necesario. Controle el bloque de intercambio de calor y los serpentines. Límpielos si es necesario.
<p><i>Si su problema no está incluido aquí, llame al distribuidor de su zona o comuníquese sin cargo con nuestro Departamento de Servicio Técnico al 800-932-3030 para que lo asistan.</i></p>		

ESPECIFICACIONES

Modelo	LGR 7000XLi (F412)
Peso	107 lb 49 kg
Dimensiones (altura x profundidad x ancho)	33,5 × 20 × 20 in 85 × 51 × 51 cm
Potencia	8,3 A, 115 V
Eliminación de agua según AHAM (80 °F [27 °C]/60% de humedad relativa)	130 pt 61,5 L por día
Eliminación de agua según grano bajo (80 °F [27 °C]/20% de humedad relativa)	17 pt 8 L por día
Cantidad máxima de aire procesado	325 cfm* salida canalizable al nivel del piso
Nivel de ruido promedio	62 dB
Filtro de aire	Filtro HAF de 3M™ Pieza n.º F368 (paquete de 24 unidades)
Manguera de drenaje	40 ft 12,2 m
Cable de alimentación	25 ft 7,6 m

Construcción	Carcasa rotomoldeada.
Seguridad	Certificación de ETL conforme a las normas UL 474 y CSA 22.2 n.º 92
<p>Las especificaciones están sujetas a cambios sin previo aviso. Algunos valores pueden ser aproximados. *La velocidad del ventilador varía automáticamente para optimizar el desempeño.</p>	

La información sobre la garantía está disponible en www.dri-eaz.com.

No olvide visitar warranty.drieaz.com y registrar su compra. Su registro nos ayudará a brindarle información actualizada del producto según sea necesario.

Para una correcta eliminación, esta unidad debe llevarse a una empresa de reciclaje autorizada para procesar equipos de refrigeración.

Guide d'utilisation

Déshumidificateur portable LGR 7000XLi

Modèle F412 (115V)

DRI-EAZ PRODUCTS, INC.

15180 Josh Wilson Road, Burlington, WA 98233 – États-Unis

Téléphone : 800-932-3030 Télécopie : 360-757-7950 www.dri-eaz.com

Le déshumidificateur LGR 7000XLi de Dri-Eaz® réduit l'humidité dans les environnements structuraux fermés en éliminant la vapeur d'eau de l'air. Le 7000XLi est robuste, durable et facilement transportable; cet appareil est idéal pour la réfection (dégâts causés par l'eau), le séchage des structures, la construction et autres utilisations exigeant une déshumidification temporaire à très haut débit.

Brevets : <http://www.LBpatents.com>

LIRE ET CONSERVER CES INSTRUCTIONS



AVERTISSEMENT! Ne pas modifier le LGR 7000XLi d'aucune façon. Utiliser seulement des pièces de rechange autorisées par Dri-Eaz Products, Inc. Toute modification ou l'utilisation de pièces non approuvées peut constituer un danger et annulera votre garantie. Contactez votre distributeur autorisé Dri-Eaz pour obtenir de l'aide.

AVERTISSEMENT! Danger de décharge électrique, ventilateur tournant et surfaces très chaudes. Débrancher l'appareil avant d'ouvrir le couvercle pour le nettoyage ou l'entretien. L'appareil doit être mis à la terre.

- Vérifier l'état du cordon d'alimentation avant utilisation. Ne pas l'utiliser si le cordon est endommagé. Pour débrancher, toujours saisir la prise (et non le cordon).
- Enfoncer les trois fiches de la prise du cordon dans une prise de courant mise à la terre. Ne pas utiliser d'adaptateur. Ne jamais sectionner la troisième fiche. Ne pas utiliser de rallonge.
- L'appareil doit fonctionner sur un circuit de 115V/60 Hz protégé par un disjoncteur de fuite à la terre.
- Ne pas mettre l'appareil en marche lorsque de l'eau stagne en surface. Le moteur et le câblage doivent rester secs.

AVERTISSEMENT! Ne pas modifier le LGR 7000XLi d'aucune façon. Utiliser seulement des pièces de rechange autorisées par Dri-Eaz Products, Inc. Toute

modification ou l'utilisation de pièces non approuvées peut constituer un danger et annulera votre garantie. Contacter son distributeur autorisé Dri-Eaz pour obtenir de l'aide

TABLE DES MATIÈRES

FONCTIONNEMENT

Identification des pièces.....	22
Mise en place du déshumidificateur.....	22
Utilisation du déshumidificateur.....	22
Guide du panneau de commande.....	3
Après chaque utilisation.....	4
Réglage du mode hygrostat.....	4

ENTRETIEN

Programme d'entretien.....	7
Nettoyage des serpentins et du bloc.....	7
Nettoyage de la valve de la pompe.....	11
Inspection du panneau de commande.....	16
Messages d'erreur.....	17
Dépannage.....	18

PRÉLIMINAIRES

Enregistrement de la garantie

Enregistrez votre appareil sur le site warranty.drieaz.com. L'enregistrement nous aidera à vous donner des conseils judicieux quant à l'utilisation, l'entretien ou la réparation de votre appareil et de vous contacter au cas où nous aurions des renseignements importants en matière de sécurité touchant à votre produit Dri-Eaz. Si vous estimez qu'une réparation s'impose, procurez-vous le modèle de l'appareil, le numéro de série et la preuve d'achat originale, puis appelez votre distributeur pour obtenir une autorisation de retour d'article (RMA).

INTRODUCTION

Les déshumidificateur Dri-Eaz réduisent l'humidité dans les espaces structuraux fermés en éliminant la vapeur d'eau de l'air.

Les déshumidificateurs réfrigérants à grains (LGR : Low-Grain Refrigerant), tels le 7000XLi, sont équipés d'un système de pré-refroidissement : leur capacité d'élimination de l'eau est ainsi supérieure, ce qui leur

permet de continuer à éliminer l'humidité dans des environnements plus secs, alors que les réfrigérants conventionnels n'en sont pas capables.

IDENTIFICATION DES PIÈCES

FIG. A : AVANT

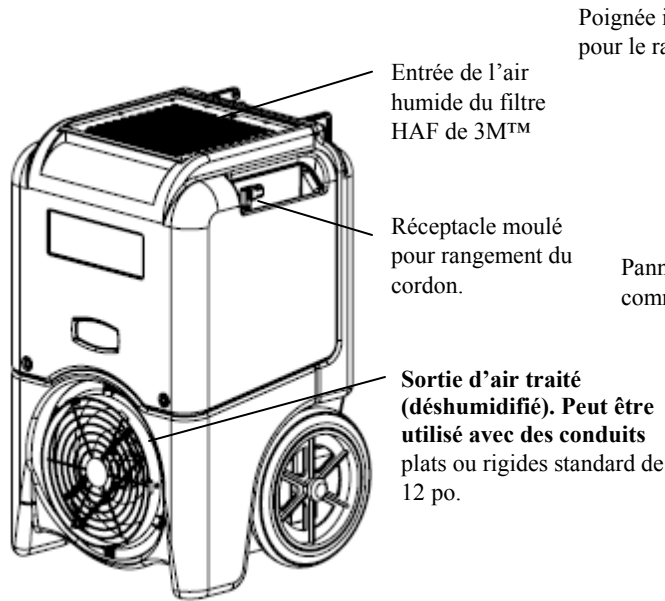


FIG. B : ARRIÈRE

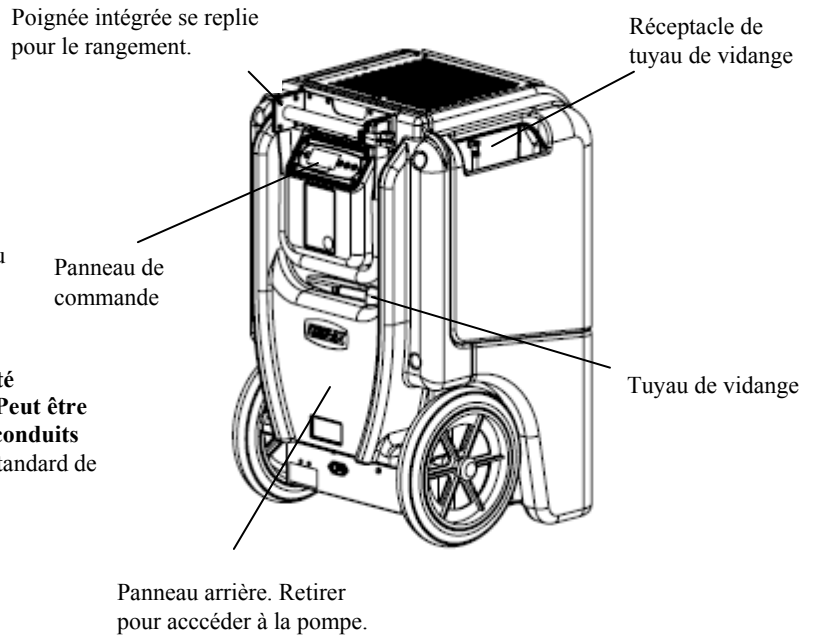
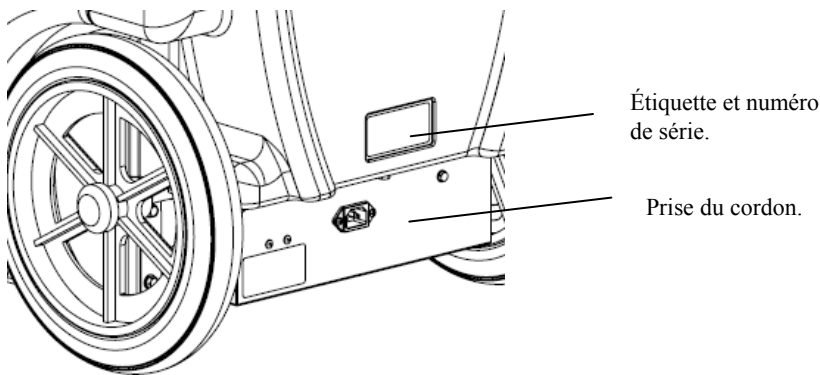


FIG. C : CONNEXION DU CORDON



UTILISATION DU DÉSHUMIDIFICATEUR

Mettez l'appareil droit

AVIS : Il n'est pas recommandé de transporter ou de ranger l'appareil en position horizontale. En effet, lorsque l'on couche l'appareil, l'huile en provenance du compresseur peut s'écouler dans les serpentins réfrigérants et affecter le fonctionnement du déshumidificateur; cela peut également abîmer l'appareil. Si l'appareil a été placé en position horizontale, le redresser et attendre au moins 30 minutes avant de le mettre en marche.

Mise en place du déshumidificateur

Pour obtenir les meilleurs résultats possibles, faites fonctionner vos déshumidificateurs dans une pièce close. Fermez toutes les portes et les fenêtres qui s'ouvrent vers l'extérieur, afin d'optimiser l'élimination de l'eau. Placez le déshumidificateur loin de toute obstruction et loin de tout objet qui pourrait bloquer la circulation de l'air entrant ou sortant de l'appareil. Pour un complément d'information sur l'agencement d'un milieu de séchage optimal, appelez Dri-Eaz au 800-932-3030.

Pose du tuyau de vidange


La pompe à condensats du 7000XLi est raccordée à un tuyau de vidange en plastique (dans le réceptacle situé sur le côté de l'appareil). Le raccord rapide de ce tuyau permet de le brancher rapidement sur le tuyau de vidange de 12 m (40 pi) fourni. Déroulez le tuyau au complet, puis faites-le déboucher dans un évier, un drain, un seau ou à l'extérieur - tout endroit où l'eau peut s'écouler sans danger. Si vous utilisez un seau ou autre récipient pour recueillir l'eau, vérifiez-le souvent pour éviter tout débordement.

AVIS : Déroulez et redressez le tuyau de vidange sur toute sa longueur. Ne laissez aucune partie du tuyau enroulée sur l'appareil; l'extrémité du tuyau ne doit pas être à plus de 6 m (20 pi) au-dessus de la partie inférieure de l'appareil. Regardez également si le tuyau n'est pas plié et n'a aucune obstruction pouvant bloquer la circulation de l'eau. Le tuyau risquerait alors de refouler, causant un débordement.

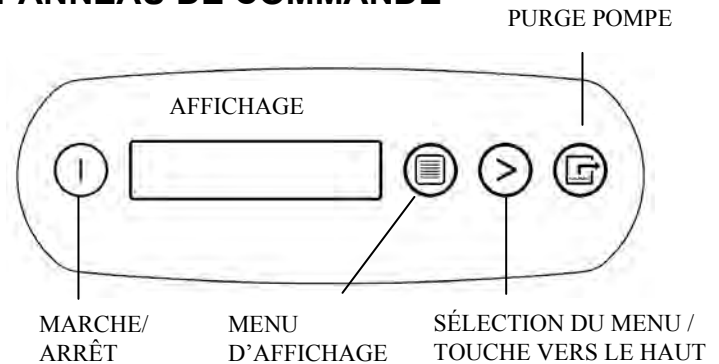
Branchement du cordon d'alimentation

Le déshumidificateur 7000XLi doit être branché sur une prise 115 V, protégée par un disjoncteur de fuite à la terre, avec une intensité nominale de 15 ampères. Retirez le cordon de son réceptacle de rangement et déroulez-le. Commencez toujours par brancher le cordon fermement sur la prise de l'appareil, puis branchez l'autre extrémité sur une prise de courant appropriée.

Mise en marche de l'appareil

Le panneau de commande du déshumidificateur 7000XLi présente un afficheur et quatre touches de commande. Appuyez sur la touche  MARCHE/ARRÊT pour allumer l'appareil.

PANNEAU DE COMMANDE



MARCHE/ARRÊT

Appuyez et relâchez pour allumer ou éteindre l'appareil.

MENU D'AFFICHAGE

Appuyez pour sélectionner l'article suivant du menu. L'article du menu apparaîtra sur l'affichage.

SÉLECTION DU MENU / TOUCHE VERS LE HAUT

Appuyez pour faire défiler ou sélectionner les valeurs affichées du menu.

PURGE POMPE

Appuyez et relâchez pour faire démarrer la purge. L'affichage comptera à rebours les secondes restantes jusqu'à la fin de la purge.

Affichage de démarrage et modes d'affichages normaux.


Lors du premier branchement de l'appareil sur une prise secteur, l'écran du panneau de commande passe brièvement par une série d'affichages. Ceci fait partie de la procédure d'autodiagnostic de l'appareil; l'utilisateur n'a pas besoin d'intervenir.

Une fois l'autodiagnostic terminé, l'écran passera au **mode d'affichage normal**.

00 HRS TRAVAIL
ENTRÉE 00 °C / ENTRÉE 00 %

La **première ligne** de l'affichage indique le nombre total d'heures pendant lesquelles l'appareil est en fonctionnement. Vous pouvez remettre cette valeur à zéro pour noter le nombre d'heures de travail (cf. section « Réinitialisation des heures en marche » ci-dessous). La **seconde ligne** de l'affichage alterne entre la température d'entrée et l'humidité d'entrée.

Menu de paramètres utilisateur

L'utilisateur peut modifier un certain nombre de paramètres. L'information système peut également être affichée. Pour accéder à ces articles, appuyez sur la touche  MENU D'AFFICHAGE. Chaque fois que vous

appuyez sur la touche, le paramètre suivant s'affiche. Lorsque le paramètre que vous souhaitez régler est affiché, appuyez sur la touche **>** SÉLECTION DE MENU pour augmenter la valeur. Appuyez de nouveau sur la touche **☰** MENU D'AFFICHAGE pour accepter le réglage et redémarrer le défilement de l'affichage. Si aucune touche n'est sélectionnée pendant 20 secondes, l'affichage est réinitialisé automatiquement et revient en mode d'affichage normal.

Veillez noter que seuls les articles du menu suivis du symbole « plus grand que (>) » peuvent être réglés.

Tous les réglages et les modes sont expliqués en détail dans le Guide du panneau de commande, p. 3.

Messages d'erreur

L'appareil affiche un message d'erreur lorsque les diagnostics de bord du 7000XLi détectent une anomalie. Voir « Messages d'erreur », p. 17, pour une explication de chaque message.

Guide du panneau de commande

① MARCHE/ARRÊT. Appuyez sur cette touche pour allumer ou éteindre l'appareil. Lorsque vous allumez l'appareil, l'écran affiche généralement SVP ATTENDRE COMP. DIFFÉRÉ et effectue un compte à rebours numérique d'un maximum de 60 secondes jusqu'à 0 (délai d'équilibrage des pressions du fluide frigorigène pour faciliter le démarrage). Au terme de ce délai, l'écran affiche XX HRS TRAVAIL et effectue un cycle entre ENTRÉE XX °C et ENTRÉE XX %. REMARQUE : Si aucun compte à rebours n'est affiché, un délai est inutile et la machine commence à fonctionner immédiatement.

☰ MENU D'AFFICHAGE. Appuyez sur cette touche pour parcourir l'affichage des états supplémentaires du déshumidificateur et les paramètres utilisateur. Appuyez une fois sur la touche MARCHE/ARRÊT pour retourner au menu principal.

> SÉLECTION DE MENU. Appuyez sur cette touche pour changer les valeurs des paramètres « définis par l'utilisateur ». La touche SÉLECTION DE MENU agit comme touche VERS LE HAUT pour régler le point de consigne pour le mode de l'hygrostat. Reportez-vous à la section Menu de paramètres utilisateur (ci-dessous) pour de plus amples détails.

☑ PURGE. Appuyez sur cette touche pour vidanger l'eau du réservoir de la pompe à condensats. L'affichage indique PURGE POMPE avec un compte numérique à rebours. REMARQUE : Lors d'un fonctionnement normal, la pompe effectue automatiquement une purge toutes les six minutes, ou chaque fois que le réservoir est plein.

Modification des paramètres et affichage de l'information système

L'utilisateur peut modifier un certain nombre de paramètres. L'information système est également disponible. Pour accéder à ces articles, appuyez sur la touche **☰** MENU D'AFFICHAGE. Chaque fois que vous appuyez sur la touche, le prochain paramètre s'affiche (voir liste ci-dessous). Lorsque le paramètre que vous souhaitez régler est affiché, appuyez sur la touche **>** SÉLECTION DE MENU pour augmenter la valeur. Appuyez de nouveau sur la touche **☰** MENU D'AFFICHAGE pour accepter le réglage et redémarrer le défilement de l'affichage. Si aucune touche n'est sélectionnée pendant 20 secondes, l'affichage est réinitialisé automatiquement et revient en mode d'affichage normal.

Veillez noter que seuls les articles du menu suivis du symbole « plus grand que (>) » peuvent être réglés.

**HEURES TRAVAIL
RÉINITIALISATION? > >**

Appuyez sur la touche **>** SÉLECTION DE MENU pour remettre les heures à zéro. REMARQUE : Lorsqu'il est en mode Hygrostat, l'appareil affiche HYGROSTAT sur la ligne supérieure pendant un fonctionnement normal, et non pas HEURES TRAVAIL.

**HEURES TOTALES
00 HRS**

Affiche le nombre total d'heures de fonctionnement de l'appareil. Cette valeur ne peut être modifiée.

**ENTRÉE SORTIE
00 ° 00 % 00 ° 00 %**

Affiche la température actuelle et l'humidité relative de l'entrée et de la sortie.

Mode hygrostat

**MODE HYGROSTAT
MARCHE/ARRÊT >**

En mode Marche, l'appareil maintient le point de consigne de l'hygrostat (cf. ci-dessous). Appuyez sur la touche **>** SÉLECTION DU MENU pour basculer entre Marche et Arrêt. REMARQUE : Lorsqu'il est en mode Hygrostat, l'appareil affiche HYGROSTAT sur la ligne supérieure pendant un fonctionnement normal, et non pas HEURES TRAVAIL.

**POINT DE CONSIGNE
HYGROSTAT 00 % >**

Définit le niveau d'humidité lorsque l'appareil est en mode Hygrostat. Appuyez sur la touche **>** SÉLECTION DU MENU pour changer la valeur d'humidité relative. Chaque fois que vous appuyez sur le bouton, la valeur

augmente de 5 %, jusqu'à 90 % d'humidité relative, puis elle repart à 30 %.

TEMPÉRATURE
C° >

Affiche l'échelle de températures actuelle. Appuyez sur la touche **➤ SÉLECTION DU MENU** pour choisir l'échelle Fahrenheit ou Celsius.

LANGUE
FRANÇAIS >

Affiche la langue actuelle de l'affichage. Appuyez sur la touche **➤ SÉLECTION DU MENU** pour choisir espagnol, allemand, français ou anglais.

TEMPÉRATURE SERPENTIN
00 °C

Affiche la température du serpentin évaporateur (froid).

ID CAPTEUR >
00000000

L'appareil 7000XLi n'utilise pas cette fonction.

INTENSITÉ COMPRESSEUR
0.0 A

Affiche la consommation de courant actuelle du compresseur, en ampères.

APRÈS CHAQUE UTILISATION

Pour réduire la possibilité de fuites lors du déplacement de l'appareil, veuillez suivre ces étapes supplémentaires pour vous assurer que l'appareil est vidé de toute son eau.

AVIS : L'appareil doit être bien droit pendant la purge pour vider complètement le réservoir des eaux condensées.

1. Si le cycle de dégivrage est en route, attendre que l'appareil soit revenu en mode d'opération normal avant de continuer. Pour vérifier, examinez le panneau de commande. Le panneau de commande affichera un des messages suivants :

Dégivrage en cours :

APPAREIL EN MARCHÉ 00 HRS
CYCLE DÉGIVRAGE

Affichage normal :

APPAREIL EN MARCHÉ 00 HRS
ENTRÉE XX °C

Attendre que le panneau indique l'*affichage normal* avant de continuer.

2. Inclinez avec soin l'appareil sur ses roues pour évacuer l'eau restant sur les surfaces internes dans la zone de récupération.

3. Appuyez sur la touche **Ⓜ PURGE**. Éteignez l'appareil à la fin du cycle de purge.

4. Retirez le tuyau de vidange externe, videz-le avec soin, puis remettez-le dans le réceptacle de rangement sur le côté de l'appareil.

5. Débranchez le cordon d'alimentation de la prise, puis de la base de l'appareil, enroulez-le et remettez-le dans le réceptacle de rangement (voir Fig. A).

TRANSPORT ET RANGEMENT

AVIS : Manipulez l'appareil avec le plus grand soin. Ne le laissez pas tomber, ne le lancez pas, et ne le placez pas dans un endroit d'où il pourrait tomber. Un traitement abusif de l'appareil risque de l'endommager, de créer une condition dangereuse ou d'annuler la garantie.

- N'exposez pas le panneau de commande à des moisissures, à la neige ou à la pluie.
- Rangez-le et transportez-le avec précaution, afin d'éviter les chocs fâcheux sur les pièces internes.
- Attachez-le durant le transport pour éviter qu'il glisse et cause des blessures éventuelles aux occupants du véhicule.

Conseil spécial pour le transport dans des escaliers :

Avant de monter ou descendre des escaliers, suivez ces étapes supplémentaires pour vous assurer que l'appareil est vidé de toute son eau :

1. Éteignez l'appareil à la fin d'un cycle de dégivrage.

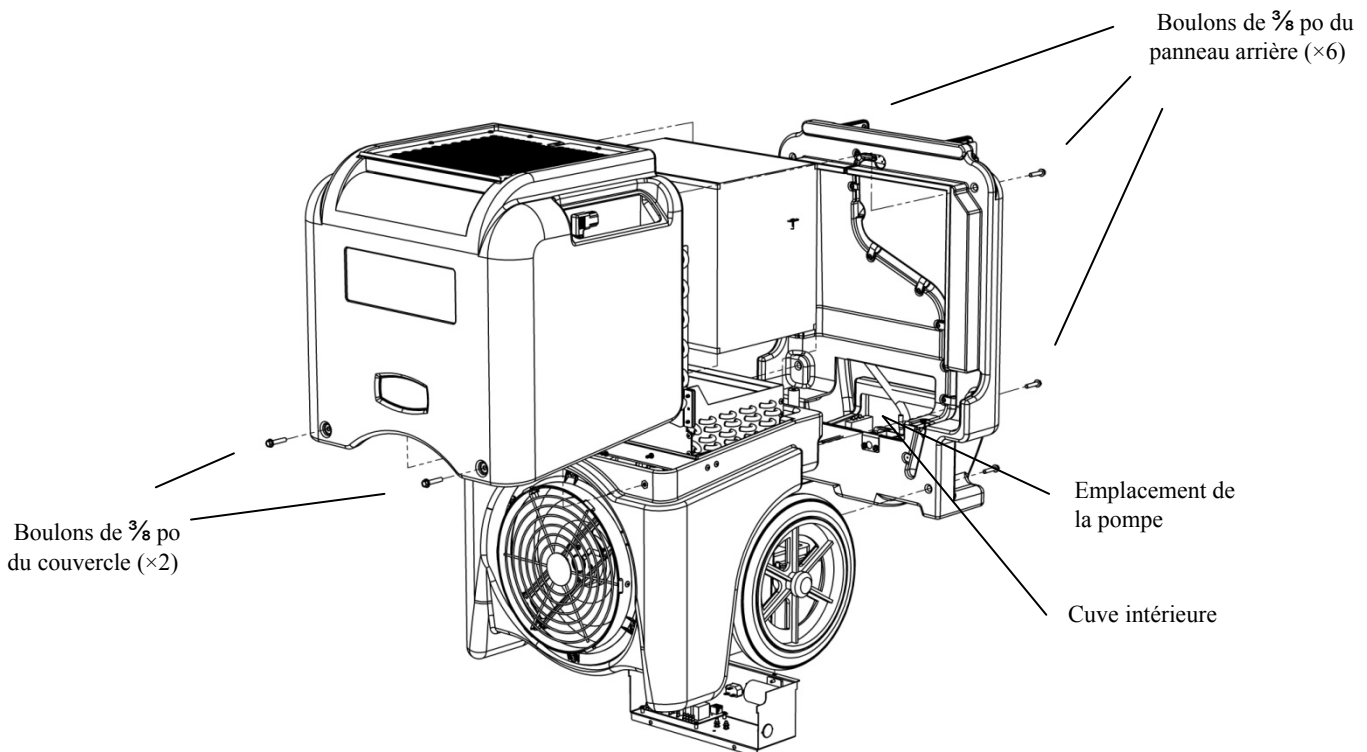
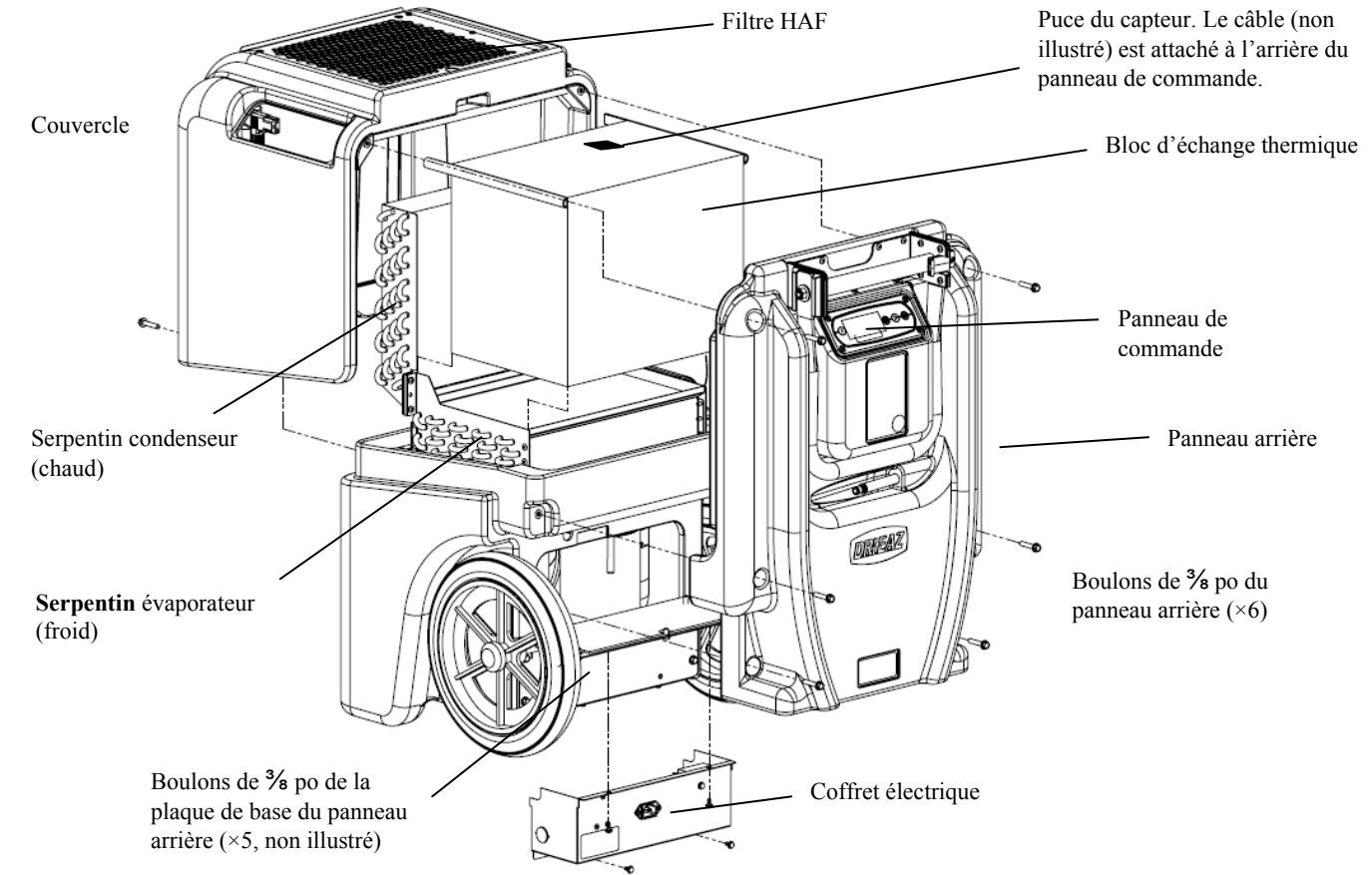
Inclinez avec soin l'appareil sur ses roues pour évacuer l'eau restant sur les surfaces internes dans la zone de récupération.

2. Appuyez sur la touche **Ⓜ PURGE**. Éteignez l'appareil à la fin du cycle de purge.

3. Retirez le tuyau de vidange externe, videz-le avec soin, puis remettez-le dans le réceptacle de rangement sur le côté de l'appareil.

4. IMPORTANT : Retirez le cordon d'alimentation de la base de l'appareil, enroulez-le et placez-le dans le réceptacle de rangement. Ceci afin d'éviter que le cordon se prenne sur une marche et s'abîme.

FIG. D : DIAGRAMME DES PIÈCES



PROGRAMME D'ENTRETIEN

AVERTISSEMENT! RISQUE DE DÉCHARGE ÉLECTRIQUE. Débranchez le déshumidificateur avant d'en faire l'entretien.

AVERTISSEMENT : Risque d'exposition à la poussière et aux contaminants. L'utilisation d'un masque respiratoire et de gants est recommandée. Si l'appareil a été exposé à des contaminants potentiellement dangereux, nettoyez-le à fond et désinfectez-le avant de le réutiliser.

AVIS : L'appareil est équipé de capteurs électroniques sensibles. Protégez-les, ainsi que leurs fils, contre tout choc. Ne les exposez pas à l'eau ou à des solutions de nettoyage.

Liste des outils et fournitures nécessaires pour réaliser les procédures d'entretien décrites dans ce manuel :

- Tournevis à pointe étoilée
- Tournevis à lame plate
- Pince à becs pointus
- Clé de $\frac{9}{16}$ po
- Tourne-écrou ou clé à douilles de $\frac{3}{8}$ po
- Clé à douilles de $\frac{5}{16}$ po (pour retirer la pompe)
- Rallonge de clé à douilles de 6 po
- Clé à rochet
- Chiffons
- Aspirateur HEPA avec embout brosse et suceur long.

Recommandés

Perceuse sans fil, petit canif, pince à petits becs, solution de nettoyage pour serpentins, solution de nettoyage pour boîtier roto-moulé.

Avant chaque utilisation

Regardez si le cordon d'alimentation est intact.

Assurez-vous qu'il n'est pas éraillé, coupé, etc.

Remplacez le cordon s'il est endommagé.

Examinez, nettoyez à l'aspirateur ou remplacez le

filtre. Le filtre HAF de 3M™ (débit d'air élevé) peut être nettoyé à l'aspirateur et être réutilisé jusqu'à trois fois avant d'être remplacé. Utiliser un aspirateur HEPA et un embout à brosse pour retirer tous les débris et la poussière. N'utilisez pas d'air comprimé et n'exposez pas le filtre à des liquides, car cela l'abîmerait.

AVIS : Remplacez-le uniquement par un filtre neuf HAF (Pièce Dri-Eaz n°. F368). Les autres types de filtres n'offrent pas une filtration ni un passage de l'air adéquats. Assurez-vous d'orienter le nouveau filtre correctement. Voir « Pose du filtre HAF », p. 98. Voir également « Présentation des filtres HAF », ci-dessous.

Tous les mois

Inspectez les serpentins et le bloc d'échange thermique. Nettoyez-les lorsque l'accumulation de saleté est évidente. Sous conditions normales d'utilisation, la poussière peut s'accumuler et peut réduire le passage de l'air, réduisant la performance de l'appareil et causant une surchauffe. Voir « Nettoyage des serpentins et du bloc d'échange thermique », p. 7.

Pour entretenir l'aspect, essuyer les surfaces intérieures et extérieures avec un chiffon humide. Pour un nettoyage en profondeur et un brillant protecteur durable, utilisez le Nettoyant MicroGuard de Dri-Eaz et le Protecteur MicroGuard disponible chez Dri-Eaz, ou un traitement pour intérieur d'automobile similaire.

Au besoin

Nettoyez la valve anti-retour et le récipient collecteur de la pompe Si l'appareil affiche le message "ER9 BLOCAGE POMPE VÉRIFIER POMPE & TUYAU", la valve anti-retour de la pompe et le bassin collecteur doivent probablement être nettoyés. Cela demande le retrait du couvercle arrière. Voir instructions p.11 « Inspection et nettoyage de la pompe ».

Nettoyez les serpentins et le bloc d'échange thermique. Inspectez le serpentin évaporateur horizontal (froid), après avoir retiré le couvercle arrière. En cas de poussière et saletés excessives, nettoyez

INFORMATIONS CONCERNANT LES FILTRES HAF DE 3M™

Les filtres HAF de 3M favorisent une rétention supérieure des particules et une circulation d'air optimale, en plus d'inhiber la croissance microbienne sur les surfaces du filtre. Pour garantir une protection maximale du matériel, des techniciens et du chantier, suivez les directives suivantes :

Remplacer le filtre HAF après l'avoir nettoyé à l'aspirateur et réutilisé trois fois. Les filtres HAF sont moins efficaces après trois utilisations.

Remplacer le filtre HAF après l'avoir utilisé pour des interventions effectuées dans un lieu contaminé par des moisissures, ou exposé à des contaminants risquant d'être dangereux. L'usage continu d'un filtre contaminé risque de transmettre l'infection.

Ne pas laver, ni verser de liquide sur le filtre HAF. L'exposition du filtre à des liquides compromet l'efficacité de la matière électrostatique.

Ne pas utiliser l'appareil sans le filtre HAF en place. Ne pas utiliser l'appareil avec un autre type de filtre. Une mauvaise filtration rendra l'appareil moins efficace et risquera de l'endommager.

Ne pas utiliser l'appareil lorsqu'il y a trop de poussière ou de particules en suspension dans l'air. La grande quantité de particules pendant le sablage, la peinture au pistolet ou des activités similaires risquent de boucher l'appareil et l'endommager.

avec un aspirateur ou avec un nettoyant pour serpentins.
Voir « Nettoyage des serpentins et du bloc d'échange

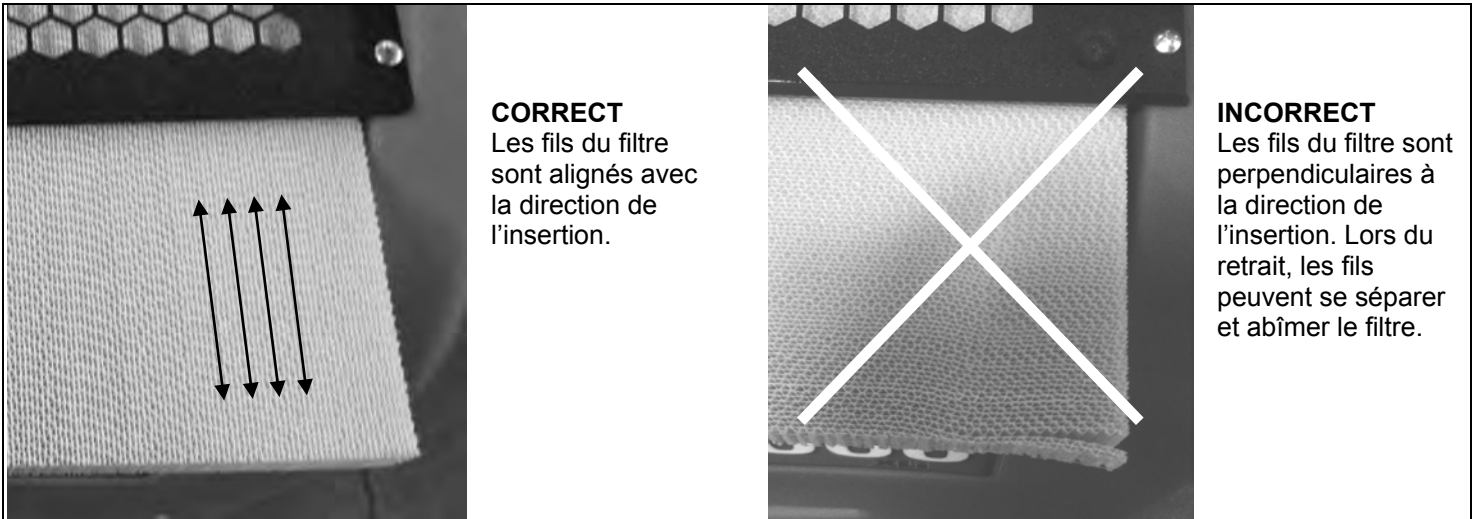
thermique », p. 7.

NETTOYAGE DES SERPENTINS ET DU BLOC D'ÉCHANGE THERMIQUE

Pour que l'appareil continue de bien fonctionner, gardez les serpentins et le bloc échangeur d'air propres et retirez périodiquement la poussière et les débris qui s'accumulent sur les surfaces intérieures. Voir « Nettoyage des serpentins et du bloc d'échange thermique », p. 7.

Pose du filtre HAF

Pour éviter d'endommager le filtre HAF, veillez à l'insérer correctement.



Démontage de l'appareil pour nettoyer les serpentins et le bloc d'échange thermique

AVERTISSEMENT : Débranchez l'appareil avant l'entretien.

AVERTISSEMENT : Risque d'exposition à la poussière et aux contaminants. L'utilisation d'un masque respiratoire et de gants est recommandée. Si l'appareil a été exposé à des contaminants potentiellement dangereux, nettoyez-le à fond et désinfectez-le avant de le réutiliser.

AVIS : L'appareil est équipé de capteurs électroniques sensibles. Protégez-les, ainsi que leurs fils, contre tout choc. Ne les exposez pas à l'eau ou à des solutions de nettoyage.

Tout d'abord, retirez le tuyau à raccord rapide de la pompe.

Retirez les quatre boulons de 3/8 po :



Soulevez le couvercle avant et mettez-le de côté.



Débranchez l'ensemble de la puce du capteur du bloc.
Soulevez délicatement du bloc la puce et la tige de montage ensemble.

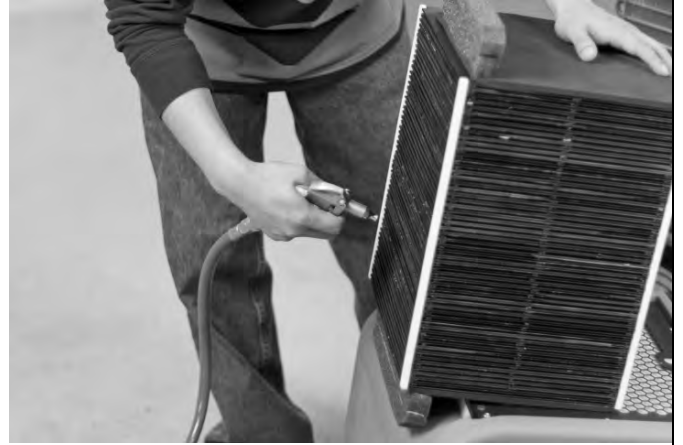
AVIS! La puce du capteur est fragile. Manipulez-la avec soin. Pour éviter d'endommager le capteur avec une décharge d'électricité statique, ne touchez pas le circuit du capteur et ne placez pas de ruban adhésif ni tout autre matériau en contact avec le circuit du capteur.



Soulevez le bloc d'échange thermique tout droit de la base. Notez l'orientation du bloc pour le remettre en place plus tard.



Examinez le bloc d'échange thermique. En cas de présence de poussière, utilisez un aspirateur avec filtre HEPA ou de l'air comprimé pour nettoyer les canaux du bloc.



Examinez le serpentin condenseur vertical (chaud). En cas de présence de poussière, utilisez un aspirateur ou de l'air comprimé pour nettoyer les deux côtés du serpentin. Faites attention de ne pas courber ou abîmer les ailettes. Avec un aspirateur, nettoyez la surface externe (illustrée) et la surface intérieure du serpentin vertical.

AVIS : N'utilisez pas la solution nettoyante pour serpentin sur le serpentin condenseur vertical. La solution peut couler sur les composants internes sensibles et les endommager.

Le **serpentin évaporateur horizontal (froid) (non illustré) doit aussi être nettoyé avec un aspirateur.** Pour un nettoyage plus complet, retirez le couvercle arrière et utilisez le nettoyant pour serpentin. Voir « Inspection et nettoyage de la valve anti-retour de la pompe », p. 1211.



Remontage du bloc thermique et du couvercle supérieur

AVIS : Vérifiez que les boulons du boîtier sont enfilés correctement avant de les serrer. Ne pas trop serrer. N'utilisez pas d'outil électrique!

Remise en place du bloc d'échange thermique : Respectez son orientation d'origine.

Remplacez le bloc d'échange thermique soigneusement. Vérifiez que le bloc est au ras de la base et du serpentin condenseur vertical (chaud),

Vérifiez que le sommet du bloc est de niveau avec le sommet du serpentin condenseur.



Remplacez l'ensemble de la puce du capteur dans le bloc d'échange thermique.

AVIS! La puce du capteur est fragile. Manipulez-la avec soin. Pour éviter d'endommager le capteur avec une décharge d'électricité statique, ne touchez pas le circuit du capteur et ne placez pas de ruban adhésif ni tout autre matériau en contact avec le circuit du capteur.

Faites glisser le couvercle supérieur en place tout droit vers le bas. Vérifiez que les joints d'étanchéité en mousse sont bien en place et ne sont pas repliés ni tordus.



Remettez le couvercle avant en place. Insérez et serrez à la main les boulons $\frac{3}{8}$ po du couvercle avant, puis vissez les deux boulons du couvercle arrière.

AVIS : Vérifiez que les boulons du boîtier sont enfilés correctement avant de les serrer. Ne pas trop serrer. N'utilisez pas d'outil électrique!

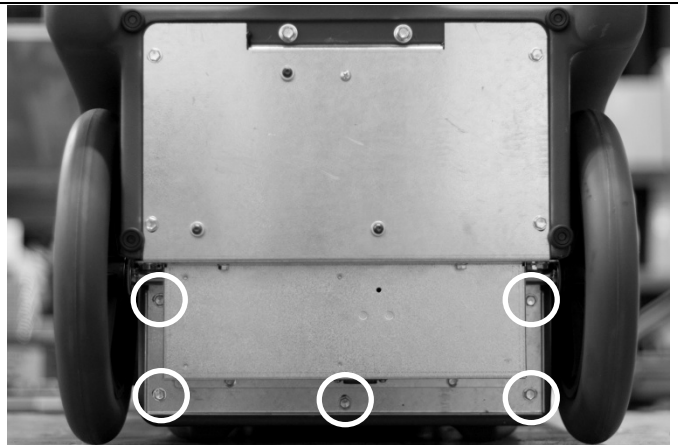
L'appareil est prêt à être utilisé.

INSPECTION ET NETTOYAGE DE LA VALVE ANTI-RETOUR DE LA POMPE

Retirez les cinq boulons $\frac{3}{8}$ po de la plaque de base. Pour accéder plus facilement à ces boulons, couchez l'appareil sur l'arrière.

AVIS : Ne placez pas l'appareil sur l'avant, cela pourrait faire couler l'eau résiduelle sur les composants électroniques sensibles.

Retirer le couvercle avant tel que décrit dans la section « Démontage de l'appareil pour nettoyer les serpentins et le bloc d'échange thermique », p. 8.



Remettez l'appareil droit et **retirez le couvercle avant**, comme décrit dans la section « Démontage de l'appareil pour nettoyer les serpentins et le bloc d'échange thermique », p. 8.

Maintenant, **retirez les quatre boulons $\frac{3}{8}$ po du panneau arrière**.



Faites basculer le dessus du panneau arrière et posez-le à plat devant l'appareil. Il n'est pas nécessaire de débrancher le faisceau de câbles du panneau arrière ou du coffret électrique.



Nettoyez le serpentin horizontal froid (condenseur). Utilisez un aspirateur ou un nettoyeur pour serpentin condenseur. Si vous utilisez le nettoyeur pour serpentin, servez-vous d'un petit récipient pour récupérer ce qui aura coulé dans le récipient collecteur.



Nettoyez et inspectez la valve anti-retour de la pompe.

D'abord, utilisez une pince à becs pointus pour retirer le tuyau de vidange du raccord cannelé sur la pompe. Mettez le tuyau à l'intérieur du boîtier du couvercle arrière.



Retirez les deux boulons $\frac{5}{16}$ po qui retiennent le support de fixation de la pompe.



Faites glisser la pompe et l'ensemble de support de la pompe pour la sortir. Il n'est pas nécessaire de débrancher les câbles électriques.

Lorsque la pompe est sortie du boîtier, faites-la tourner vers le haut et l'extérieur pour accéder plus facilement à la valve anti-retour.

AVIS : Veillez à ne pas recourber ou abîmer l'ensemble « guimauve » du flotteur.



Nettoyez et inspectez la valve anti-retour. À l'aide d'une clé $\frac{9}{16}$ po, dévissez le raccord de la valve anti-retour et retirez-le de la pompe.



À l'aide d'une pince à petites pointes, retirez soigneusement le raccord à compression de la valve et la valve « bec-de-canard ».



Rincez les trois pièces dans de l'eau propre.

Réassemblez les composants de la valve anti-retour dans l'ordre indiqué.



Vissez l'ensemble de valve anti-retour dans la sortie de la pompe.

AVIS : Vérifiez que la bague d'étanchéité est bien en place avant de serrer. Ne serrez pas trop fort.

Essuyez le récipient collecteur de la pompe avec un chiffon propre et sec.

Remontage de la pompe et du couvercle arrière

Remplacez la pompe. Faites glisser la pompe et le support de la pompe en place.

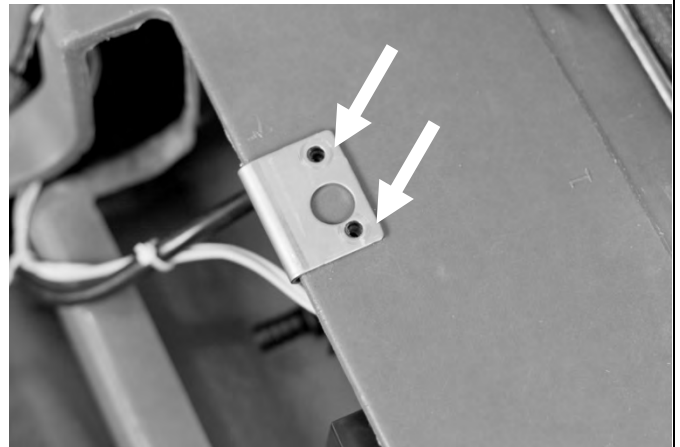


Vérifiez que les deux trous du support, du boîtier roto-moulé et du récipient collecteur de la pompe sont correctement alignés avant d'insérer et de visser les boulons à la main.

Revissez les deux boulons $\frac{3}{8}$ po qui retiennent le support de fixation de la pompe. Ne serrez pas trop fort.

Rebranchez le tuyau de vidange sur la sortie de la pompe.

Remettez le couvercle arrière en place. Vérifiez que les joints d'étanchéité sont alignés correctement et ne sont pas tordus.



Remplacez les quatre boulons de la partie inférieure du couvercle arrière. Serrez les boulons sans forcer. Maintenant, couchez l'appareil sur le dos.

AVIS : Vérifiez que les boulons du boîtier sont correctement enfilés avant de les serrer. Ne serrez pas trop fort. N'utilisez pas d'outil électrique!

Revissez les cinq boulons $\frac{3}{8}$ po de la plaque inférieure.

Maintenant, redressez l'appareil et serrez les quatre boulons du couvercle arrière.

Remettez le couvercle supérieur. Voir « Remontage du bloc thermique et du couvercle supérieur » page. 10.

CONSEIL : Serrez les boulons du couvercle graduellement du bas vers le haut pour créer un joint optimal. Au fur et à mesure que vous les serrez, vérifiez que l'alignement est correct et que tous les joints sont en place et bien plats.

L'appareil est maintenant prêt à être utilisé.

INSPECTION DU PANNEAU DE COMMANDE

À l'aide d'un tournevis à pointe étoilée, retirez les quatre vis qui retiennent la plaque de base.

Soulevez délicatement le panneau de commande. Les connexions du capteur sont situés sous le panneau.



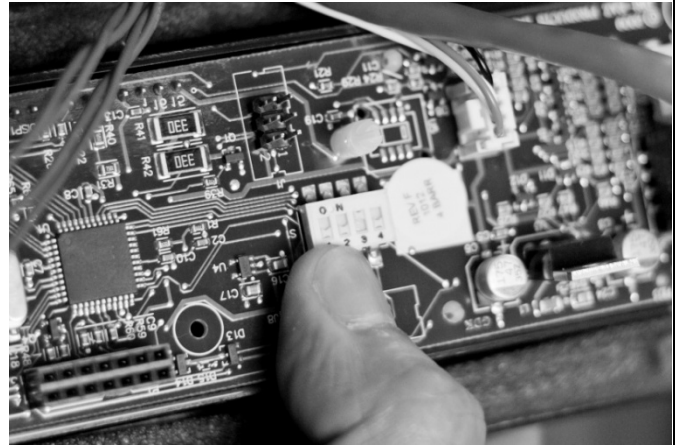
Les connexions du capteur sont marquées "OUT T" (sonde de température de sortie) et "DEFRR" (sonde de dégivrage).

Remarquez que le câble DEFRR est marqué avec de la peinture argent. Vérifiez que chaque câble est relié à l'emplacement correct et qu'ils sont bien enfoncés.



L'interrupteur DIP est situé au centre du panneau. *Ne modifiez pas les paramètres DIP* sauf sur recommandation d'un technicien qualifié.


AVIS! La carte de circuit imprimé du panneau de commande contient des composants électroniques sensibles. Manipulez-la avec soin. Pour éviter d'endommager la carte de circuit imprimé avec une décharge d'électricité statique, ne touchez pas le circuit et ne placez pas de ruban adhésif ni tout autre matériau en contact avec le circuit imprimé.



Lorsque vous avez terminé l'inspection, remplacez le contrôleur dans le boîtier et serrez les vis. Ne serrez pas trop fort.

MESSAGES D'ERREUR

Le système de commande du LGR 7000Xli surveille continuellement les conditions de fonctionnement interne. Si le système détecte une anomalie, il produit un message d'erreur (« ERR ») indiquant celle-ci. Si l'écran affiche un message « ER », commencez par débrancher l'appareil, puis rebranchez-le. En général, l'électronique sera alors réinitialisée, et l'appareil recommencera à bien fonctionner. Si un message d'erreur s'affiche à nouveau, reportez-vous à l'explication et au correctif ci-dessous. Si l'anomalie ne peut être corrigée, appelez votre centre de service après-vente local agréé, ou le service après-vente Dri-Eaz au 800-932-3030.

REMARQUE : Le message « PANNE D'ALIMENTATION » n'est pas une erreur de système. Lorsque ce message s'affiche, il indique que l'alimentation a été interrompue et puis restaurée. Pour effacer le message, appuyez sur la touche  SÉLECTION DE MENU.

MESSAGE le panneau de commande	EXPLICATION ET CORRECTIF
ER1 CONTACTER CENTRE SERVICE	Erreur de tension. Vérifiez la tension de l'alimentation secteur et que le circuit n'est pas surchargé. Si l'alimentation est correcte, le panneau de commande électronique doit peut-être être remplacé. Si l'erreur persiste, contactez le service technique.
ER2 CONTACTER CENTRE SERVICE	Erreur du panneau de commande. Le panneau de commande électronique doit peut-être être remplacé. Si l'erreur persiste, contactez le service technique.
ER3 CONTACTER CENTRE SERVICE	Appareil trop longtemps en mode de dégivrage. Regardez si le capteur de dégivrage est branché correctement. Voir "Inspection du panneau de commande", p. 17. Si l'erreur persiste, le capteur devra peut-être être remplacé. Contactez le service technique.
ER4 ✓ CONNEXION CAPTEUR DEGIVR. - ou - ER4 ✓ CONNEXION CAPTEUR SORTIE	Erreur de capteur. Regardez si le capteur de dégivrage est branché correctement. Regardez si les câbles du capteur sont intacts. Voir "Inspection du panneau de commande", p. 17. Si l'erreur persiste, le capteur devra peut-être être remplacé. Contactez le service technique.
ER5 ✓ CONNEXION DU CAPTEUR SUR TB	Erreur de tableau, tension basse. Regardez si le capteur température sortie est branché correctement. Voir "Inspection du panneau de commande", p. 17. Si l'erreur persiste, le capteur devra peut-être être remplacé. Contactez le service technique.
ER6 CONTACTER CENTRE DE SERVICE	Erreur de haute tension. Le panneau haute tension doit peut-être être remplacé. Si l'erreur persiste, contactez le service technique.
ER7 RÉGLAGE INVALIDE	Mauvais réglage pour les commutateurs DIP ou mauvaise version micrologicielle. Si l'erreur persiste, contactez le service technique. Le service technique pourra vous demander de vérifier le réglage des commutateurs DIP. Voir "Inspection du panneau de commande", p. 16, pour des instructions.
ER8 TCH COINCÉE ✓ TOUTES TOUCHES	Vérifiez le bon fonctionnement de chaque touche à effleurement en appuyant dessus. Si une touche est inopérante, ou si l'erreur persiste, le clavier tactile devra peut-être être remplacé. Contactez le service technique.
ER9 BLOCAGE POMPE ✓ VÉRIFIER POMPE & TUYAU	Regardez si le tuyau de vidange est obstrué. S'il est bouché, retirez le tuyau de l'appareil et débouchez-le avec de l'air comprimé. Inspectez et nettoyez la valve anti-retour de la pompe. Voir "Nettoyage et entretien de la pompe", p. 11.

DÉPANNAGE

ANOMALIE	CAUSE	CORRECTIF
Écoulement d'eau lors du déplacement de l'appareil.	Appareil débranché avant la fin de la purge.	Purgez l'appareil avant de le déplacer. Voir « Après chaque utilisation », p. 4.
L'appareil ne fonctionne pas.	L'appareil n'est pas allumé. Aucune alimentation.	Allumez l'appareil. Branchez l'appareil; regardez s'il est branché (au niveau de la prise de courant et à la base de l'appareil).
Le ventilateur ne tourne pas.	Le ventilateur est obstrué.	Retirez l'anneau du conduit et la grille et retirez l'obstruction. Remettez l'anneau du conduit et la grille.
L'appareil fonctionne, mais la pièce ne sèche pas.	Temps insuffisant pour le séchage. Mauvais déplacement d'air dans la pièce. Infiltration excessive d'air humide.	Augmentez la durée de séchage. Augmentez le déplacement d'air avec des appareils de ventilation. Fermez la zone pour réduire l'infiltration.
L'appareil extrait une quantité d'eau insuffisante.	L'air de la pièce est sec. La température de la pièce est trop basse. Le filtre HAF est plein. Le bloc d'échange thermique ou les serpentins sont obstrués.	Vérifiez le taux d'humidité avec un hygromètre. Augmentez la température de la pièce. Vérifiez le filtre. Nettoyez-le ou remplacez-le au besoin. Vérifiez le bloc d'échange thermique et les serpentins. Nettoyez au besoin.
<p><i>Si l'anomalie que vous avez constatée n'est pas indiquée ici, appelez votre distributeur local ou contactez le service technique au numéro sans frais 800-932-3030 pour obtenir une aide supplémentaire.</i></p>		

FICHE TECHNIQUE

Modèle	LGR 7000XLi (F412)
Poids	107 lb 49 kg
Dimensions (H x P x L)	33,5 x 20 x 20 po 85 x 51 x 51 cm
Alimentation	8,3 A, 115 V
AHAM de retrait d'eau (26,6 °C [80 °F]/60 % HR)	130 chopines 61,5 litres / jour
Retrait d'eau Low Grain (26,6 °C [80 °F]/20 % HR)	17 chopines 8 litres / jour
Déplacement de l'air (max)	325 pi ³ /min*. Orifice à conduit au niveau du sol.
Niveau sonore (moyen)	62 dB
Filtre à air	Filtre HAF de 3M™ Pièce No. F368 (paquet de 24)
Tuyau de vidange	40 pi 12,2 m
Cordon d'alimentation	25 pi 7,6 m
Construction	Coquille rotomoulée.

Sécurité	Homologué ETL pour UL 474 et CSA 22.2 no. 92
Fiche technique sous réserve de modifications sans préavis. Certaines valeurs peuvent être approximatives. *Vitesse variable automatique du ventilateur pour favoriser une efficacité optimale.	

Les données de garantie sont disponibles sur le site www.dri-eaz.com.

Pensez à visiter warranty.drieaz.com et à enregistrer votre achat. Votre enregistrement nous aidera à vous communiquer les dernières nouvelles importantes sur le produit.

Pour une élimination adéquate, cet appareil doit être remis à un centre de recyclage agréé pour traiter l'équipement de réfrigération.

ELECTRICAL SCHEMATIC

